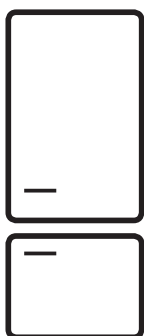


EN

# **FROST FREE COMBI REFRIGERATOR Freezer - Fridge**

User manual



# Index

<b>BEFORE USING THE APPLIANCE.....</b>	<b>7</b>
Before Using your Fridge .....	7
Information on the Frost Free technology .....	7
<b>THE PARTS OF THE APPLIANCE AND THE COMPARTMENTS .....</b>	<b>8</b>
<b>USER INFORMATION.....</b>	<b>10</b>
Temperature settings .....	10
Fast freezing switch .....	10
Warnings about Temperature Adjustments .....	11
<b>Accessories.....</b>	<b>11</b>
Ice tray .....	11
Bottle holder .....	12
<b>CLEANING AND MAINTENANCE.....</b>	<b>13</b>
Defrosting .....	13
Replacing the light bulb .....	14
Replacing LED Lighting .....	14
<b>ARRANGING FOOD IN THE APPLIANCE.....</b>	<b>15</b>
Refrigerator compartment .....	15
Freezer compartment .....	16
<b>TRANSPORTATION AND CHANGING OF INSTALLATION POSITION.....</b>	<b>20</b>
Repositioning the door .....	20
<b>BEFORE CALLING YOUR AFTER SALES SERVICE ....</b>	<b>21</b>
<b>TIPS FOR SAVING ENERGY.....</b>	<b>23</b>

## SAFETY INSTRUCTIONS

Before using the appliance, read these safety instructions. Keep them nearby for future reference. These instructions and the appliance itself provide important safety warnings, to be observed at all times. The manufacturer declines any liability for failure to observe these safety instructions, for inappropriate use of the appliance or incorrect setting of controls.

⚠ Very young children (0-3 years) should be kept away from the appliance. Young children (3-8 years) should be kept away from the appliance unless continuously supervised. Children from 8 years old and above and persons with reduced physical, sensory or mental capabilities or lack of experience and knowledge can use this appliance only if they are supervised or have been given instructions on safe use and understand the hazards involved. Children must not play with the appliance. Cleaning and user maintenance must not be carried out by children without supervision.

Children aged from 3 to 8 years are allowed to load and unload refrigerating appliances.

### PERMITTED USE

⚠ CAUTION: The appliance is not intended to be operated by means of an external switching device, such as a timer, or separate remote controlled system.

⚠ This appliance is intended to be used in household and similar applications such as: staff kitchen areas in shops, offices and other working environments; farm houses; by clients in hotels, motels, bed & breakfast and other residential environments.

⚠ This appliance is not for professional use. Do not use the appliance outdoors.

⚠ The bulb used inside the appliance is specifically designed for domestic appliances and is not suitable for general room lighting within the home (EC Regulation 244/2009).

⚠ The appliance is designed for operation in places where the ambient temperature comes within the following ranges, according to the climatic class given on the rating plate. The appliance may not work properly if it is left for a long time at a temperature outside the specified range.

Climatic class ambient temperatures:

SN: From 10°C to 32°C ;

N: From 16°C to 32°C ;

ST: From 16°C to 38°C ;

T: From 16°C to 43°C

⚠ This appliance does not contain CFCs. The refrigerant circuit contains R600a (HC). Appliances with Isobutane (R600a): isobutane is a natural gas without environmental impact, but is flammable.

## IMPORTANT TO BE READ AND OBSERVED

Therefore, make sure the refrigerant circuit pipes are not damaged, especially when emptying the refrigerant circuit.

⚠ WARNING: Do not damage the appliance refrigerant circuit pipes.

⚠ WARNING: Keep ventilation openings, in the appliance enclosure or in the built-in structure, clear of obstruction.

⚠ WARNING: Do not use mechanical, electric or chemical means other than those recommended by the Manufacturer to speed up the defrost process.

⚠ WARNING: Do not use or place electrical devices inside the appliance compartments if they are not of the type expressly authorised by the Manufacturer.

⚠ WARNING: Ice makers and/or water dispensers not directly connected to the water supply must be filled with potable water only.

⚠ WARNING: Automatic ice-makers and/or water dispensers must be connected to a water supply that delivers potable water only, with mains water pressure between 0.17 and 0.81 MPa (1.7 and 8.1 bar).

⚠ Do not store explosive substances such as aerosol cans and do not place or use gasoline or other flammable materials in or near the appliance.

⚠ Do not swallow the contents (non-toxic) of the ice packs (provided with some models). Do not eat ice cubes or ice lollies immediately after taking them out of the freezer since they may cause cold burns.

⚠ For products designed to use an air filter inside an accessible fan cover, the filter must always be in position when the refrigerator is in function.

⚠ Do not store glass containers with liquids in the freezer compartment since they may break.

Do not obstruct the fan (if included) with food items. After placing the food check that the door of compartments closes properly, especially the freezer door.

⚠ Damaged gaskets must be replaced as soon as possible.

⚠ Use the refrigerator compartment only for storing fresh food and the freezer compartment only for storing frozen food, freezing fresh food and making ice cubes.

⚠ Do not store unwrapped food in the refrigerator or freezer compartments to avoid direct contact with internal surfaces.

Appliances could have special compartments (Fresh Food Compartment, Zero Degree Box,...).

Unless differently specified in the specific booklet of product, they can be removed, maintaining equivalent performances.

⚠ G-Pentane is used as blowing agent in the insulation foam and it is a flammable gas.

---

The most appropriate compartments of the appliance where specific types of food are to be stored, taking into account different temperature distribution in different compartments in the appliance, are as follows:

- Refrigerator compartment:

1) Upper area of the refrigerator compartment & door - temperature zone: Store tropical fruit, cans, drinks, eggs, sauces, pickles, butter, jam

2) Middle area of the refrigerator compartment - cool zone: Store cheese, milk, dairy food, deli food, yoghurt

3) Lower area of the refrigerator compartment - coldest zone: Store cold cuts, desserts, meat and fish, cheesecake, fresh pasta, sour cream, pesto/salsa, home-cooked food, pastry cream, pudding and cream cheese

4) Fruit & vegetable drawer at the bottom of the refrigerator compartment: Store vegetables and fruits (excluding tropical fruits)

5) Chiller compartment: Only store meat and fish in the coldest drawer

- Freezer compartment:

4 star zone (\*\*\*) compartment is suitable for freezing foodstuffs from ambient temperature and for storing frozen food as the temperature is evenly distributed throughout the entire compartment.

Purchased frozen food has the storage expiration date stated on the packaging. This date takes into account the type of food being stored and therefore this date should be respected. Fresh food should be stored for the following time periods: 1-3 months for cheese, shellfish, ice cream, ham/sausage, milk, fresh liquids; 4 months for steak or chops (beef, lamb, pork); 6 months for butter or margarine, poultry (chicken, turkey);

8-12 months for fruits (except citrus), roast meat (beef, pork, lamb), vegetables. Expiration dates on the packaging of foods in the 2-star zone must be respected.

To avoid food contamination, please observe the following:

- Opening the door for long periods can cause a significant increase of the temperature in the compartments of the appliance.

- Regularly clean surfaces that may come into contact with food and accessible drainage systems.

- Clean water tanks if they have not been used for 48 h; flush the water system connected to a water supply if water has not been drawn for 5 days.

- Store raw meat and fish in suitable containers in the refrigerator, so that it does not come into contact with or drip onto other food.

- Two-star frozen food compartments are suitable for storing pre-frozen food, storing or making ice cream and ice cubes.

- Do not freeze fresh food in one, two or three-star compartments.

- If the refrigerating appliance is left empty for long periods, switch off, defrost, clean, dry, and leave the door open to prevent mould developing inside the appliance.

## INSTALLATION

⚠ The appliance must be handled and installed by two or more persons - risk of injury. Use protective gloves to unpack and install - risk of cuts.

⚠ Installation, including water supply (if any), electrical connections and repairs must be carried out by a qualified technician. Do not repair or replace any part of the appliance unless specifically stated in the user manual. Keep children away from the installation site. After unpacking the appliance, make sure that it has not been damaged during transport. In the event of problems, contact the dealer or your nearest After-sales Service. Once installed, packaging waste (plastic, styrofoam parts etc.) must be stored out of reach of children

- risk of suffocation. The appliance must be disconnected from the power supply before any installation operation - risk of electrical shock.

During installation, make sure the appliance does not damage the power cable - risk of fire or electrical shock. Only activate the appliance when the installation has been completed.

⚠ Be careful not to damage the floors (e.g. parquet) when moving the appliance. Install the appliance on a floor or support strong enough to take its weight and in a place suitable for its size and use. Make sure the appliance is not near a heat source and that the four feet are stable and resting on the floor, adjusting them as required, and check that the appliance is perfectly level using a spirit level. Wait at least two hours before switching the appliance on, to ensure that the refrigerant circuit is fully efficient.

⚠ WARNING: When positioning the appliance, ensure the supply cord is not trapped or damaged.

⚠ WARNING: To avoid a hazard due to instability, positioning or fixing of the appliance must be done in accordance with the manufacturer instructions.

It's forbidden to place the refrigerator in such way that the metal hose of gas stove, metal gas or water pipes, or electrical wires are in contact with the refrigerator back wall (condenser coil).

⚠ To guarantee adequate ventilation, leave a space on both sides and above the appliance. The distance between the rear of the appliance and the wall behind the appliance should be 50 mm, to avoid access to hot surfaces. A reduction of this space will increase the Energy consumption of product.

Please remove the power cord from condenser hook during installation before connecting product to power supply.

---

## ELECTRICAL WARNINGS

⚠ It must be possible to disconnect the appliance from the power supply by unplugging it if plug is accessible, or by a multi-pole switch installed upstream of the socket in accordance with the wiring rules and the appliance must be earthed in conformity with national electrical safety standards.

⚠ Do not use extension leads, multiple sockets or adapters. The electrical components must not be accessible to the user after installation. Do not use the appliance when you are wet or barefoot.

Do not operate this appliance if it has a damaged power cable or plug, if it is not working properly, or if it has been damaged or dropped.

⚠ If the supply cord is damaged, it must be replaced with an identical one by the manufacturer, its service agent or similarly qualified persons in order to avoid a hazard - risk of electrical shock.

⚠ **WARNING:** Do not locate multiple portable socket-outlets or portable power supplies at the rear of the appliance.


## CLEANING AND MAINTENANCE

⚠ **WARNING:** Ensure that the appliance is switched off and disconnected from the power supply before performing any maintenance operation. To avoid risk of personal injury use protective gloves (risk of laceration) and safety shoes (risk of contusion); be sure to handle by two persons (reduce load); never use steam cleaning equipment (risk of electric shock).

Non-professional repairs not authorised by the manufacturer could result in a risk to health and safety, for which the manufacturer cannot be held liable. Any defect or damage caused from non-professional repairs or maintenance will not be covered by the guarantee, the terms of which are outlined in the document delivered with the unit.


⚠ Do not use abrasive or harsh cleaners such as window sprays, scouring cleansers, flammable fluids, cleaning waxes, concentrated detergents, bleaches or cleansers containing petroleum products on plastic parts, interior and door liners or gaskets. Do not use paper towels, scouring pads, or other harsh cleaning tools.

## DISPOSAL OF PACKAGING MATERIALS

The packaging material is 100% recyclable and is marked with the recycle symbol . The various parts of the packaging must therefore be disposed of responsibly and in full compliance with local authority regulations governing waste disposal.

## DISPOSAL OF HOUSEHOLD APPLIANCES

This appliance is manufactured with recyclable or reusable materials. Dispose of it in accordance with local waste disposal regulations. For further information on the treatment, recovery and recycling of household electrical appliances, contact your local authority, the collection service for household waste or the store where you purchased the appliance. This appliance is marked in compliance with European Directive 2012/19/EU, Waste Electrical and Electronic Equipment (WEEE) and with the Waste Electrical and Electronic Equipment regulations 2013 (as amended). By ensuring this product is disposed of correctly, you will help prevent negative consequences for the environment and human health.

The  symbol on the product or on the accompanying documentation indicates that it should not be treated as domestic waste but must be taken to an appropriate collection center for the recycling of electrical and electronic equipment.

## ENERGY SAVING TIPS

Install the appliance in a dry, well ventilated room far away from any heat source (eg. radiator, cooker, etc.) and in a place not exposed directly to the sun. If required, use an insulating plate.

To guarantee adequate ventilation follow installation instructions. Insufficient ventilation at the back of the product increases energy consumption and decreases cooling efficiency.

Frequent door opening might cause an increase in Energy Consumption. The internal temperature of the appliance and the Energy Consumption may be affected also by the ambient temperature, as well as location of the appliance. Temperature setting should take into consideration these factors. Reduce door opening to minimum.

When thawing frozen food, place it in the refrigerator. The low temperature of the frozen products cools the food in the refrigerator.

Allow warm food and drinks to cool down before placing in the appliance. Positioning of the shelves in the refrigerator has no impact on the efficient usage of energy. Food should be placed on the shelves in such way to ensure proper air circulation (food should not touch each other and distance between food and rear wall should be kept).

You can increase storage capacity of frozen food by removing baskets and, if present, Stop Frost shelf.

Do not worry about noises coming from the compressor which are normal operation noises.



## BEFORE USING THE APPLIANCE

### Before Using your Fridge

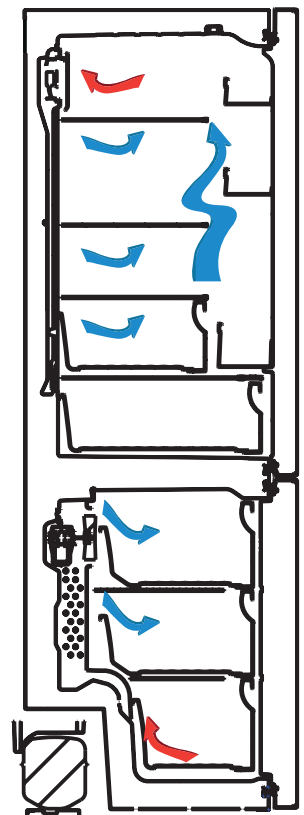
- When using your fridge for the first time, or after transportation, keep it in an upright position for at least 3 hours before plugging into the mains. This allows efficient operation and prevents damage to the compressor.
- Your fridge may have a smell when it is operated for the first time. This is normal and the smell will fade away when your fridge starts to cool.

### Information on the Frost Free technology

The Frost Free refrigerators are different from the other static refrigerators in terms of their operational system.

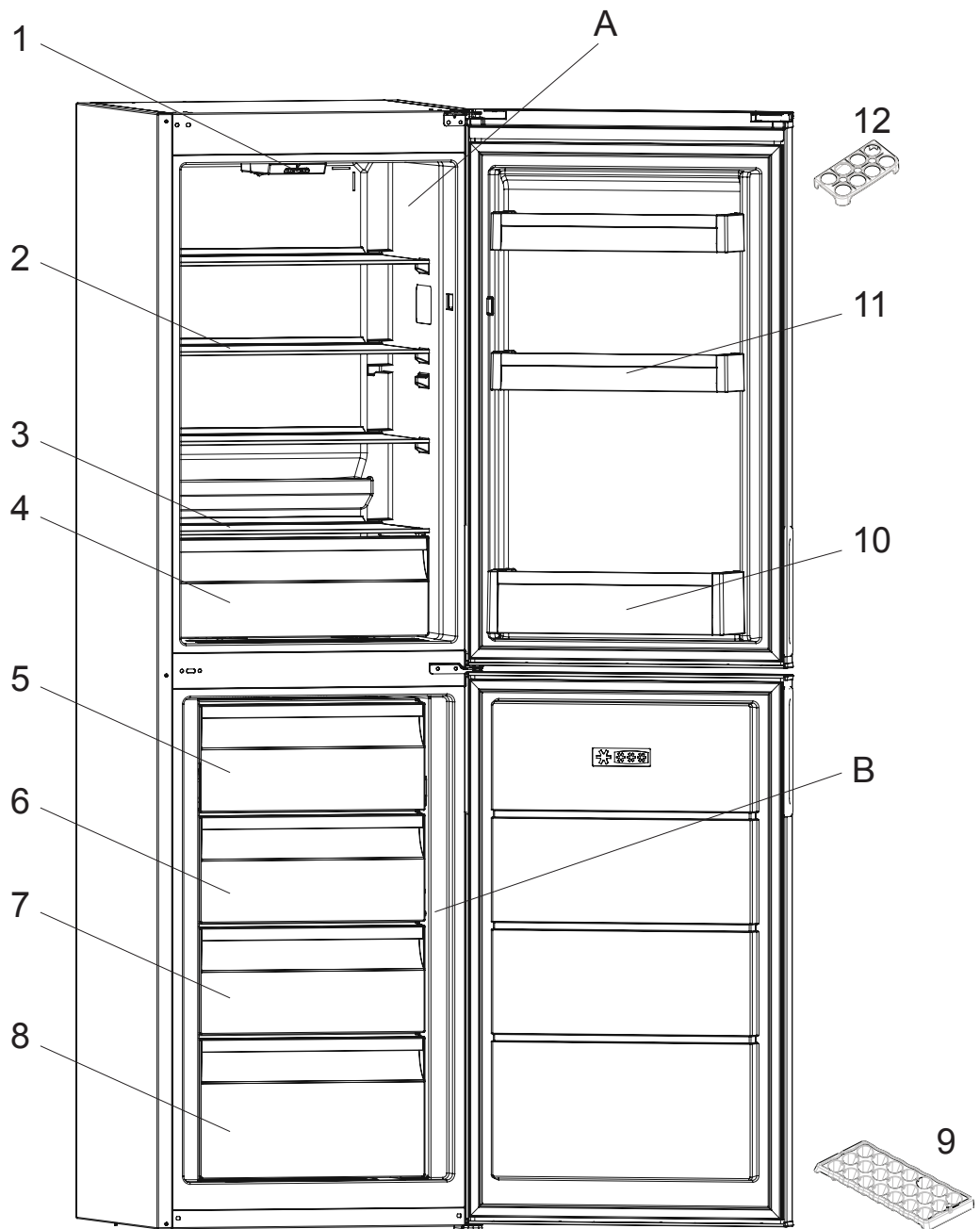
In normal fridges, the humidity entering the fridge due to opening the door and the humidity inherent in the food causes freezing in the freezer compartment. To defrost the frost and ice in the freezer compartment, you are periodically required to turn off the fridge, place the food that needs to be kept frozen in a separately cooled container and remove the ice gathered in the freezer compartment.

The situation is completely different in no-frost fridges. Dry and cold air is blown into the fridge and freezer compartments homogeneously and evenly from several points via a blower fan. Cold air dispersed homogeneously and evenly between the shelves cools all of your food equally and uniformly, thus preventing humidity and freezing.





# THE PARTS OF THE APPLIANCE AND THE COMPARTMENTS



This presentation is only for information about the parts of the appliance. Parts may vary according to the appliance model.



## THE PARTS OF THE APPLIANCE AND THE COMPARTMENTS

- A. Fridge compartment
  - B. Freezer compartment
1. Thermostat knob
  2. Fridge shelves
  3. Crisper cover
  4. Crisper
  5. Freezer flap
  6. Freezer upper basket
  7. Freezer middle basket
  8. Freezer bottom basket
  9. Ice tray
  10. Bottle shelf
  11. Door shelves
  12. Egg holder

This presentation is only for information about the parts of the appliance. Parts may vary according to the appliance model.

## USER INFORMATION

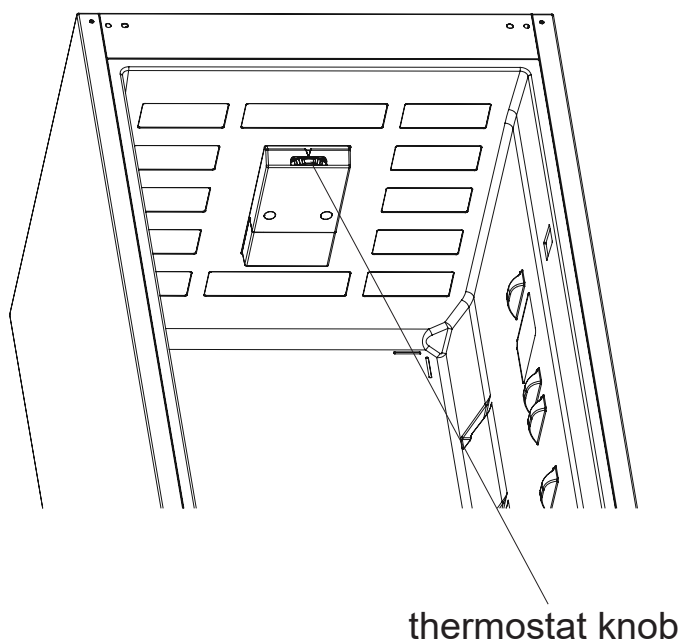
### Temperature settings

#### Cooling compartment thermostat control

It ensures that the temperature settings in the cooling and freezing compartments of your frid freezer can be performed automatically. It may be set to any value ranging from the values 1 to 5. As you turn the thermostat setting knob from 1 to 5, you increase the cooling effect. To save energy in winter months, you may operate your refrigerator at a lower position.

#### Fridge compartment thermostat knob;

- 5 : For further cooling.
- 3 - 4 : For normal usage.
- 1 - 2 : For less cooling.



## USER INFORMATION

### Warnings about Temperature Adjustments

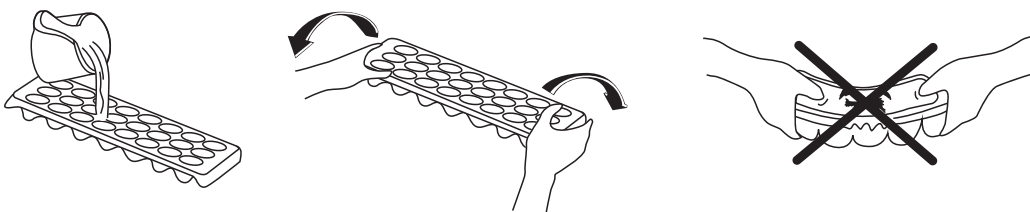
- The thermostat setting should be done by taking into consideration how often the fridge and freezer doors are opened and closed, how much food is stored in it and the environment in which the fridge freezer is found.
- In order for the fridge freezer to be completely cooled after its first connection to the socket, it has to operated for up to 24 hours.
- Throughout this period of time, do not frequently open and close the doors of your fridge freezer and do not overfill it.
- When you would like to re-operate your fridge freezer after disconnecting its plug from the socket, wait for at least 5 minutes to insert the plug again so that no damage is incurred by the compressor.
- Your fridge freezer is designed to operate in the ambient temperature intervals stated in the standards, according to the climate class stated in the information label. We do not recommend operating your fridge freezer out of stated temperatures value limits in terms of cooling effectiveness.
- This appliance is designed for use at an ambient temperature within the 16°C - 32°C range.

Climate Class	Ambient Temperature °C
T	Between 16 and 43 (°C)
ST	Between 16 and 38 (°C)
N	Between 16 and 32 (°C)
SN	Between 10 and 32 (°C)

## Accessories

### Ice tray

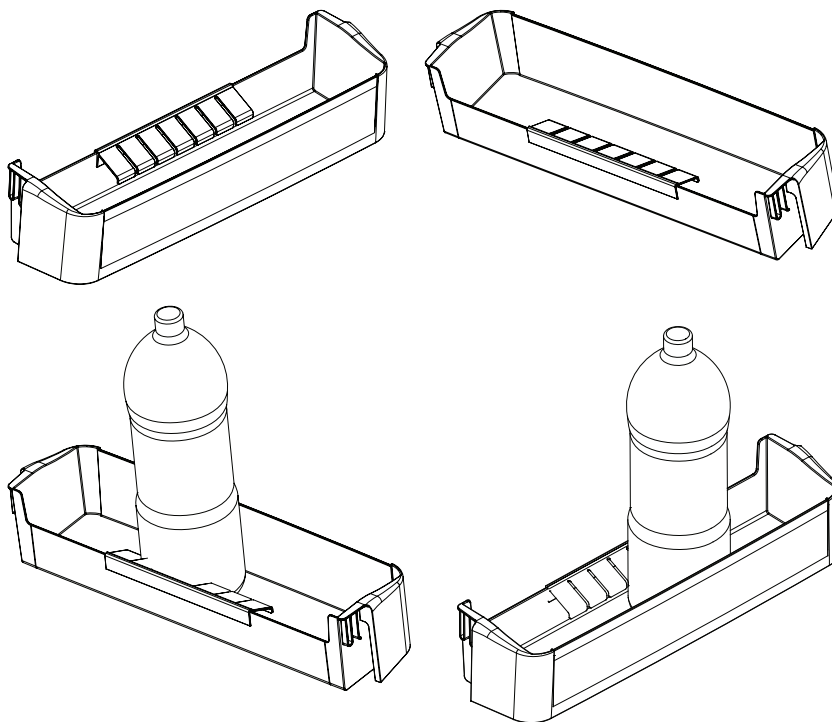
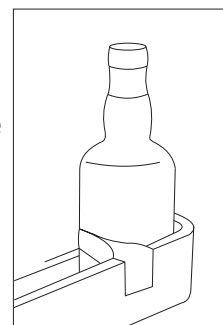
- Fill the ice tray with water and place in the freezer compartment.
- After the water has completely turned into ice, you can twist the tray as shown below to remove the ice cubes.



## USER INFORMATION

### Bottle holder

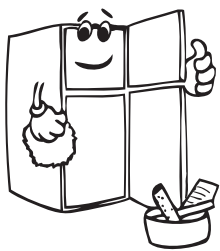
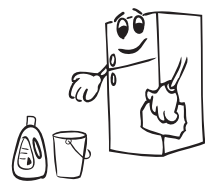
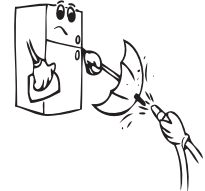
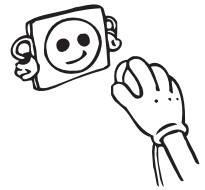
In order to prevent bottles from slipping or falling over, you can use the bottle holder. This will also help to prevent the noise made by bottles when opening or closing the door.



Visual and text descriptions on the accessories section may vary according to the model of your appliance.

## CLEANING AND MAINTENANCE

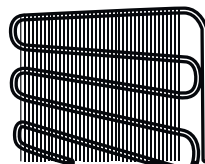
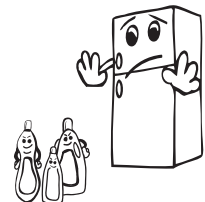
- **Disconnect the unit from the power supply before cleaning.**
- Do not clean the appliance by pouring water.
- Make sure that no water enters the lamp housing and other electrical components.
- The refrigerator should be cleaned periodically using a solution of bicarbonate of soda and lukewarm water.



- Clean the accessories separately with soap and water. Do not clean them in the dishwasher.



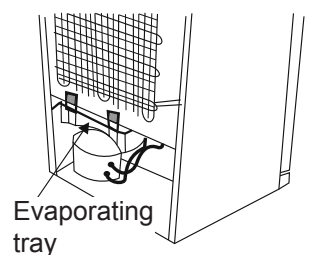
- Do not use abrasive products, detergents or soaps. After washing, rinse with clean water and dry carefully. When you have finished cleaning, reconnect the plug to the mains supply with dry hands.
- Clean the condenser with a broom at least twice a year. This will help you to save on energy costs and increase productivity.



### THE POWER SUPPLY MUST BE DISCONNECTED.

#### Defrosting

- Your refrigerator has fully automatic defrosting. The water formed as a result of defrosting passes through the water collection spout, flows into the vaporisation container below the condenser and evaporates there.
- Make sure you have disconnected the plug of your refrigerator before cleaning the vaporization container.



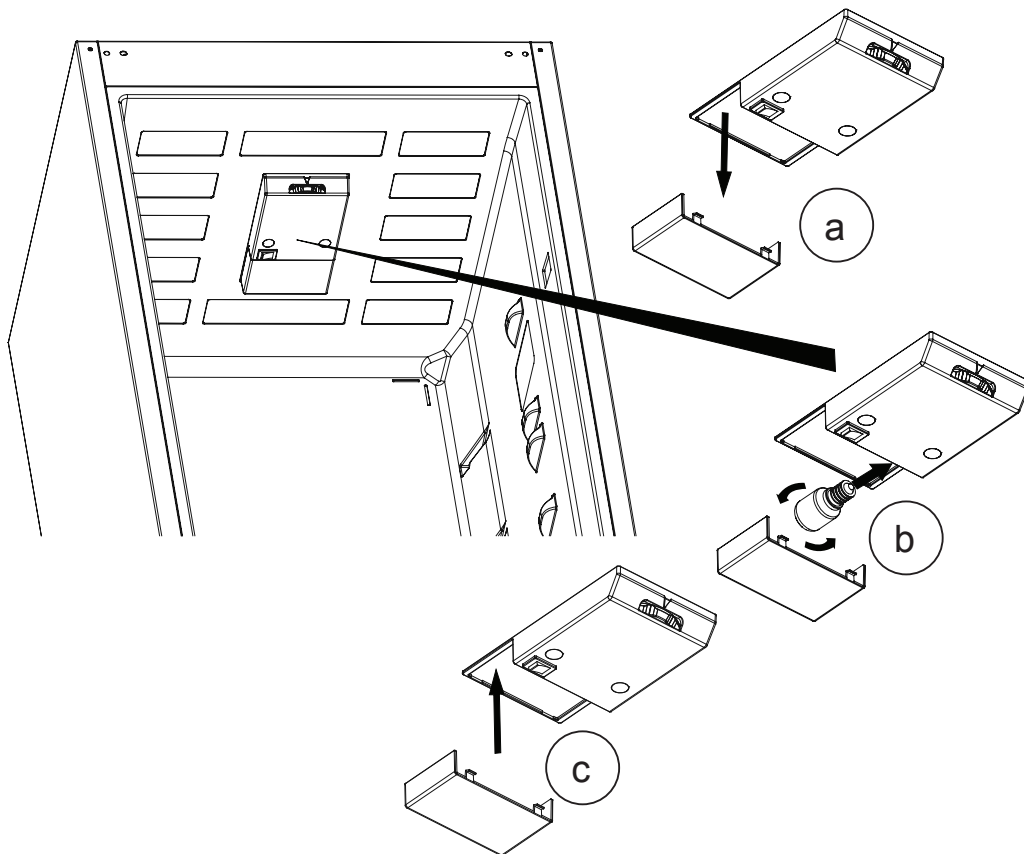
## CLEANING AND MAINTENANCE

- Remove the vaporization container from its position by unscrewing the screws as indicated. Clean it with soapy water at specific time intervals. Thus, the odor formation will have been prevented.

### Replacing the light bulb

To replace the bulb in the fridge compartments;

1. Unplug your fridge freezer.
2. Using a screwdriver, carefully remove the light cover from the top panel. (a)
3. Replace with a 15 watt bulb. (b)
4. Reinstall the light cover. (c)
5. Wait for 5 minutes before re-plugging the fridge in and restore the thermostat to its original position.



### Replacing LED Lighting

If your refrigerator has LED lighting contact the help desk as this should be changed by authorized personnel only.

## ARRANGING FOOD IN THE APPLIANCE

### Refrigerator compartment

- To reduce humidity and consequent increase of frost never place liquids in unsealed containers in the refrigerator. Frost tends to concentrate in the coldest parts of the evaporator and in time will require more frequent defrosting.
- Never place warm food in the refrigerator. Warm food should be allowed to cool at room temperature and should be arranged to ensure adequate air circulation in the refrigerator compartment.
- Nothing should touch on the back wall as it will cause frost and the packages can stick on the back wall. Do not open the refrigerator door too frequently.
- Arrange the meat and cleaned fish(wrapped in packages or sheets of plastic) which you will use in 1-2 days,in the bottom section of the refrigerator compartment(that is above the crisper) as this is the coldest section and will ensure the best storing conditions.
- You can put the fruits and vegetables into crisper without packing.

Some recommendations have been specified below for the placement and storage of your food in the cooling compartment.

**NOTE:** Potatoes, onions and garlic should not be stored in the refrigerator.

Food	Maximum Storing time	Where to place in the fridge compartment
<b>Vegetables and fruits</b>	1 week	Vegetable bin
<b>Meat and fish</b>	2 - 3 Days	Wrapped in plastic foil or bags or in a meat container (on the glass shelf)
<b>Fresh cheese</b>	3 - 4 Days	In special door shelf
<b>Butter and margarine</b>	1 week	In special door shelf
<b>Bottled products milk and yoghurt</b>	Until the expiry date recommended by the producer	In special door shelf
<b>Eggs</b>	1 month	In the egg shelf
<b>Cooked food</b>		All shelves



## ARRANGING FOOD IN THE APPLIANCE

### Freezer compartment

- Use the deep freeze compartment of your refrigerator for storing frozen food for a long time and producing ice.
- Place the food you would like to freeze initially in the upper basket of the freezer. Please do not place food nearby the already frozen food. You may place your food next to the other frozen food after they are frozen (for at least 24 hours).
- For optimum appliance performance to reach maximum freezing capacity, after placing fresh food into the freezer, turn on (1) the low ambient switch for 24 hours is generally sufficient. After 24 hours, you can turn off (0) the low ambient switch.
- You should freeze your food (meat, minced meat, fish, etc.) by dividing them into portions in such a way that they can be consumed in portions.
- Please do not refreeze frozen food once it is thawed. It may pose a danger for your health.
- Do not place hot meals in your deep freeze before they are cold.
- As you buy frozen food, make sure they were frozen under appropriate conditions and that the packaging is not torn.
- While storing frozen food, the storage conditions on the package must be observed. If there are no instructions, the food has to be consumed in the shortest possible period of time.
- Frozen food has to be transported before it perishes and it should be placed in the fast freezing shelf as soon as possible. Do not use the door shelves for freezing purposes.
- The storage durations of frozen food changes depending on the environment temperature, the frequent opening and closing of the doors, thermostat settings, food type and the length of period that elapsed from the time the food was bought to the time it entered the freezer. Always abide by the instructions on the package and never exceed the storage duration.

Some recommendations have been specified on pages 19, 20 and 21 for the placement and storage of your food in the deep freeze compartment.

Meat and fish	Preparation	Maximum Storing time (month)
<b>Steak</b>	Wrapping in a foil	6 - 8
<b>Lamb meat</b>	Wrapping in a foil	6 - 8
<b>Veal roast</b>	Wrapping in a foil	6 - 8
<b>Veal cubes</b>	In small pieces	6 - 8
<b>Lamb cubes</b>	In pieces	4 - 8
<b>Minced meat</b>	In packages without using spices	1 - 3
<b>GIBLETS (pieces)</b>	In pieces	1 - 3
<b>Bologna sausage/ salami</b>	Should be packaged even if it has membrane	
<b>Chicken and turkey</b>	Wrapping in a foil	4 - 6
<b>Goose and Duck</b>	Wrapping in a foil	4 - 6
<b>Deer, Rabbit, Wild Boar</b>	In 2.5 kg portions and as fillets	6 - 8
<b>Freshwater fishes (Salmon, Carp, Crane, Siluroidea)</b>	After cleaning the bowels and scales of the fish, wash and dry it; and if necessary, cut off the tail and head.	2
<b>Lean fish; bass, turbot, flounder</b>		4
<b>Fatty fishes (Tunny, Mackarel, bluefish, anchovy)</b>		2 - 4
<b>Shellfish</b>	Cleaned and in bags	4 - 6
<b>Caviar</b>	In its package, aluminium or plastic container	2 - 3
<b>Snails</b>	In salty water, aluminum or plastic container	3

**Note:** Frozen meat should be cooked as fresh meat after being thawed. If the meat is not cooked after being thawed, it must not be re-frozen.

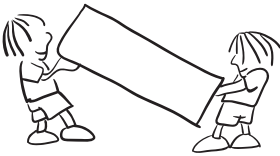
<b>Vegetables and Fruits</b>	<b>Preparation</b>	<b>Maximum Storing time (months)</b>
<b>String beans and beans</b>	Wash and cut into small pieces and boil in water	10 - 13
<b>Beans</b>	Hull and wash and boil in water	12
<b>Cabbage</b>	Cleaned and boil in water	6 - 8
<b>Carrot</b>	Clean and cut to slices and boil in water	12
<b>Pepper</b>	Cut the stem, cut into two pieces, remove the core and boil in water	8 - 10
<b>Spinach</b>	Washed and boil in water	6 - 9
<b>Cauliflower</b>	Take the leaves apart, cut the heart into pieces, and leave it in water with a little lemon juice for a while	10 - 12
<b>Eggplant</b>	Cut to pieces of 2cm after washing	10 - 12
<b>Corn</b>	Clean and pack with its stem or as sweet corn	12
<b>Apple and pear</b>	Peel and slice	8 - 10
<b>Apricot and Peach</b>	Cut into two pieces and remove the stone	4 - 6
<b>Strawberry and Blackberry</b>	Wash and hull	8 - 12
<b>Cooked fruits</b>	Adding 10 % of sugar in the container	12
<b>Plum, cherry, sourberry</b>	Wash and hull the stems	8 - 12

Dairy Products	Preparation	Maximum Storing time (months)	Storing Conditions
Packet (Homogenize) Milk	In its own packet	2 - 3	Pure Milk – In its own packet
Cheese-excluding white cheese	In slices	6 - 8	Original package may be used for short storing period. It should be wrapped in foil for longer periods.
Butter, margarine	In its package	6	

	Maximum Storing time (months)	Thawing time in room temperature (hours)	Thawing time in oven (minutes)
<b>Bread</b>	4 - 6	2 - 3	4-5 (220-225 °C)
<b>Biscuits</b>	3 - 6	1 - 1,5	5-8 (190-200 °C)
<b>Pastry</b>	1 - 3	2 - 3	5-10 (200-225 °C)
<b>Pie</b>	1 - 1,5	3 - 4	5-8 (190-200 °C)
<b>Phyllo dough</b>	2 - 3	1 - 1,5	5-8 (190-200 °C)
<b>Pizza</b>	2 - 3	2 - 4	15-20 (200 °C)

**Transportation and Changing of Installation Position**

- The original packages and foamed polystyrene (PS) can be retained if required.
- During transportation, the appliance should be secured with a wide string or a strong rope. The instructions written on the corrugated box must be followed while transporting.
- Before transporting or changing the installation position, all the moving objects (ie,shelves,crisper...) should be taken out or fixed with bands in order to prevent them from getting damaged.

**Repositioning the door**

- It is not possible to change the opening direction of your refrigerator door, if the door handle on your refrigerator is installed from the front surface of the door.
- It is possible to change the opening direction of the door on models without any handles.
- If the door opening direction of your refrigerator may be changed, you should contact the nearest Authorised Service Agent to have the opening direction changed.

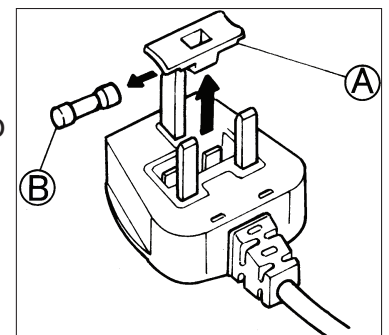
**ELECTRICAL CONNECTION FOR GREAT BRITAIN AND IRELAND ONLY**

**Warning – this appliance must be earthed.**

**Fuse replacement**

If the mains lead of this appliance is fitted with a BS 1363A 13amp fused plug, to change a fuse in this type of plug use an A.S.T.A. approved fuse to BS 1362 type and proceed as follows:

1. Remove the fuse cover (A) and fuse (B).
2. Fit replacement 13A fuse into fuse cover.
3. Refit both into plug.

**Important:**

The fuse cover must be refitted when changing a fuse and if the fuse cover is lost the plug must not be used until a correct replacement is fitted. Correct replacement are identified by the colour insert or the colour embossed in words on the base of the plug. Replacement fuse covers are available from your local electrical store.

**For the Republic of Ireland only**

The information given in respect of Great Britain will frequently apply, but a third type of plug and socket is also used, the 2-pin, side earth type.

**Socket outlet / plug (valid for both countries)**

If the fitted plug is not suitable for your socket outlet, please contact After-sales Service for further instruction.

Please do not attempt to change plug yourself. This procedure needs to be carried out by a qualified technician in compliance with the manufactures instructions and current standard safety regulations.

## BEFORE CALLING YOUR AFTER SALES SERVICE

If your fridge freezer is not working properly, it may be a minor problem, therefore check the following, before calling an electrician to save time and money.

### **What to do if your appliance does not operate;**

#### **Check if;**

- • There is no power,
- • The general switch in your home is disconnected,
- • The socket is working. To check this, plug in another appliance that you know which is working into the same socket.

### **What to do if your appliance performs poorly;**

#### **Check if;**

- You have overloaded the appliance,
- The thermostat setting is “1” position (if so set the thermostat dial suitable value)
- The doors are closed perfectly,
- There is no dust on the condenser,
- There is enough place at the rear and side walls.

### **If your fridge-freezer is operating too loudly;**

To maintain the set cooling level, compressor may be activated from time to time. Noises from your fridge-freezer at this time are normal and due to its function. When the required cooling level is reached, noises will be decreased automatically. If the noises persist;

- Is your appliance stable? Are the legs adjusted?
- Is there anything behind your fridge-freezer?
- Are the shelves or dishes on the shelves vibrating? Re-place the shelves and/or dishes if this is the case.
- Are the items placed on your fridge-freezer vibrating?

### **Normal Noises;**

#### **Cracking (Ice cracking) Noise:**

- During automatic defrosting.
- When the appliance is cooled or warmed (due to expansion of appliance material).

**Short cracking:** Heard when the thermostat switches the compressor on/off.

## BEFORE CALLING YOUR AFTER SALES SERVICE

**Compressor noise (Normal motor noise):** This noise means that the compressor operates normally. Compressor may cause more noise for a short time when it is activated.

**Bubbling noise and splash:** This noise is caused by the flow of the refrigerant in the tubes of the system.

**Water flow noise:** Normal flow noise of water flowing to the evaporation container during defrosting. This noise can be heard during defrosting.

**Air Blowing Noise (Normal fan noise):** This noise can be heard in No-Frost refrigerator during normal operation of the system due to the circulation of air.

**If there is water in the lower part of the fridge freezer,**

**Check that;**

- The drain hole for defrost water is not clogged (Use defrost drain plug to clean the drain hole)

### **IMPORTANT NOTES:**

- If the appliance is not used for long time (for example during the summer holidays) unplug and clean the appliance and leave the door open to prevent the formation of mildew and smell.
- To stop the appliance completely, unplug from the mains socket (for cleaning and when the doors are left open)
- If there is still a problem with your fridge freezer although you have followed the instructions in this book, please consult your nearest authorized service center.
- The lifetime of your appliance is stated and declared by the Department of Industry. The length of time for retaining parts required for the proper operation of the appliance is 10 years.



## TIPS FOR SAVING ENERGY

1. Install the appliance in a cool, well ventilated room , but not in direct sunlight and not near a heat source (radiator, cooker.. etc). Otherwise use an insulating plate.
2. Allow warm food and drinks to cool down outside the appliance.
3. When thawing frozen food, place it in the refrigerator compartment. The low temperature of the frozen food will help to cool the refrigerator compartment when it is thawing. This will help to save energy. If the frozen food is put out, it results in a waste of energy.
4. Cover drinks or other liquids when placing them in the appliance. Otherwise humidity increases in the appliance. Therefore, the working time gets longer. Also covering drinks and other liquids helps to preserve smell and taste.
5. Try to avoid keeping the doors open for long periods or opening the doors too frequently as warm air will enter the cabinet and cause the compressor to switch on unnecessarily often.
6. Keep the covers of the different temperature compartments (crisper, chiller ...etc ) closed
7. Door gasket must be clean and pliable. Replace gaskets if worn.



400011722297