

Serie | 6
HBG5785S0B
Single Oven

The built-in oven with meatprobe and AutoPilot: automatically prepares your dishes to perfection.

- **3D Hotair:** perfect results thanks to optimal distribution of heat on up to 3 levels simultaneously.
- **AutoPilot 30:** every dish is a perfect success thanks to 30 pre-set automatic programmes.
- **White LCD display control:** easy-to-use thanks to direct access to additional functions, temperature recommendation and temperature indication.
- **Pyrolytic self-cleaning:** no cleaning effort thanks to automatic self-cleaning.
- Drop down door with SoftClose mechanism
- **Level independent telescopic rail:** can be placed in any cooking level.

Technical Data

Color / Material Front :	Stainless steel
Built-in / Free-standing :	Built-in
Integrated Cleaning system :	Pyrolytic
Required niche size for installation (HxWxD) :	585-595 x 560-568 x 550
Dimensions of the product (mm) :	595 x 594 x 548
Dimensions of the packed product (HxWxD) (mm) :	675 x 690 x 660
Control Panel Material :	Stainless steel
Door Material :	Glass
Net weight (kg) :	38.2
Usable volume (of cavity) - cavity 1 (l) :	71
Cooking method :	Bottom heat, Conventional heat, Defrost, Full width grill, HeiBluft sanft, Hot Air, Hot air grilling, low temperature cooking, Pizza setting, warming
First cavity material :	Other
Temperature control :	No control of the temperature
Number of interior lights :	1
Approval certificates :	CE, VDE
Length electrical supply cord (cm) :	120
EAN code :	4242005057283
Number of cavities (2010/30/EC) :	1
Energy efficiency class (2010/30/EC) :	A
Energy consumption per cycle conventional (2010/30/EC) :	0.99
Energy consumption per cycle forced air convection (2010/30/EC) :	0.81
Energy efficiency index (2010/30/EC) :	95.3
Electrical connection rating (W) :	2990
Current (A) :	13
Voltage (V) :	220-240
Frequency (Hz) :	60; 50
Plug type :	no plug

Included accessories

2 x combination grid
 1 x universal pan

Optional accessories

HEZ538000 : 1fold telescopic rail, level independent



Serie | 6 Ovens

HBG5785S0B

Single Oven

The built-in oven with meatprobe and AutoPilot: automatically prepares your dishes to perfection.

Design

- LCD-display control (white)
- Drop down door, SoftClose
- Retractable control dials, Rotary dial
- Straight bar handle
- Cavity inner surface: Enamel grey

Features

- Digital temperature display with proposal
Automatic start
Heating-up indicator
AutoPilot
Sabbath setting
- Electronic door lock
Control panel lock
Automatic safety switch off
Residual heat indicator
- AutoPilot30
- Single-point meat probe
- Electronic clock timer
- Interior lights, halogen
- 5 shelf positions

Cleaning

- Pyrolytic self-cleaning function
- Full glass inner door

Programmes/functions

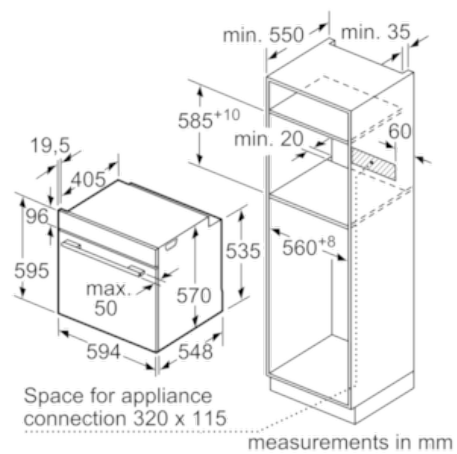
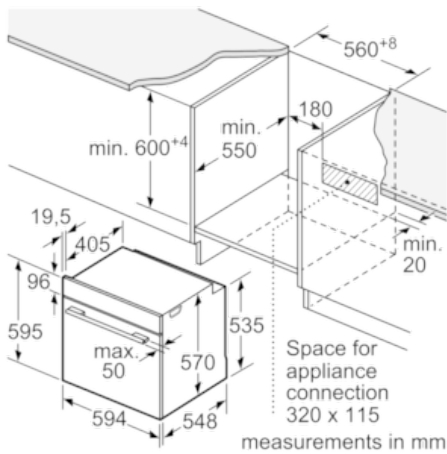
- Oven with 10 heating methods: 3D hot air, conventional top and bottom heat, Hotair grilling, full width variable grill, pizza function, bottom heat, low temperature cooking, defrost, keep warm, Hotair gentle
- Fast pre-heating function

Standard accessories

- 1 set of level independent telescopic rails, Stop function
- 2 x combination grid, 1 x universal pan

Performance/technical information

- Energy efficiency rating (acc. EU Nr. 65/2014): A
Energy consumption per cycle in conventional mode: 95.3
Energy consumption per cycle in fan-forced convection mode: 0.81 kwh
Number of cavities: 1
Cavity volume: 71 litre capacity
- Temperature range 30 °C - 275 °C
- Integral cooling fan
- Length of mains cable: 120 cm
- Total connected load electric: 2.99 KW
- Nominal voltage: 220 - 240 V
- Appliance dimension (hxwxh): 595 mm x 594 mm x 548 mm
- Niche dimension (hxwxh): 585 mm - 595 mm x 560 mm - 568 mm x 550 mm
- Please refer to the dimensions provided in the installation manual

Serie | 6 Ovens
HBG5785S0B
Single Oven


Installation with a hob.

