

## iQ700, Built-in oven, 60 cm, Stainless steel HB678GBS6B



Shorten your cooking time thanks to fast preheat, coolStart and activeClean. And remote control your oven from anywhere with Home Connect.

- ✓ fast preheat: reach the required baking temperature sooner; coolStart: no need to preheat the oven for deep frozen food.
- ✓ activeClean: the automatic system for effortless cleaning.
- ✓ Home Connect: Allows access and control your oven, no matter where you are - with the easy-to-use Home Connect App
- ✓ roastingSensor Plus: simply reliable roasting.
- ✓ TFT Touchdisplay Plus: clear text display and intuitive operation.

### Features

#### Technical Data

Color / Material Front : Stainless steel  
 Construction type : Built-in  
 Integrated Cleaning system : Pyrolytic  
 Required niche size for installation (HxWxD) : 585-595 x 560-568 x 550  
 Dimensions of the product (mm) : 595 x 594 x 548  
 Dimensions of the packed product (HxWxD) (mm) : 670 x 680 x 670  
 Control Panel Material : Stainless steel  
 Door Material : Glass  
 Net weight (kg) : 47.372  
 Usable volume of cavity (l) : 71  
 Cooking method : Bottom heat, Conventional heat, Dehydrate, Full width grill, Half width grill, Hot Air-Eco, Hot air grilling, Intensive heat, low temperature cooking, Pizza setting, pre-heating, warming  
 Temperature control : electronic  
 Number of interior lights : 3  
 Approval certificates : CE, VDE  
 Length of electrical supply cord (cm) : 120  
 EAN code : 4242003746158  
 Number of cavities (2010/30/EC) : 1  
 Energy efficiency class (2010/30/EC) : A+  
 Energy consumption per cycle conventional (2010/30/EC) : 0.87  
 Energy consumption per cycle forced air convection (2010/30/EC) : 0.69  
 Energy efficiency index (2010/30/EC) : 81.2  
 Connection rating (W) : 3600  
 Current (A) : 16  
 Voltage (V) : 220-240  
 Frequency (Hz) : 50; 60  
 Plug type : no plug

### Optional accessories

HZ915003	Glass roasting dish, 5,4 L
HZ66X650	Cover Strip
HZ638370	3 level telescopic rails, full ext, pyro
HZ638170	1 level telescopic rail, full ext, pyro
HZ636000	Glass pan
HZ634000	Baking and roasting grid (standard)
HZ631070	Baking tray, anthracite enamelled
HZ625071	Grill tray, anthracite enamelled
HZ531010	Baking tray, non-stick ceramic coated
HZ327000	Baking stone



## iQ700, Built-in oven, 60 cm, Stainless steel

### HB678GBS6B

#### Features

##### Design

- 5.7" TFT touchDisplay Plus
- Enamel anthracite
- Drop down oven door, softClose, softOpen
- Multilevel LED illumination, LED light, Light on/off when door opened/closed
- Stainless steel control dial
- Bar handle
- We recommend you to choose complementary products within iQ700, in order to assure an optimal design combination of your Built-In appliances.

##### Features

- Digital temperature display with proposal Actual temperature display Heating-up indicator Sabbath setting
- Electronic door lock Control panel lock Automatic safety switch off Residual heat indicator Start button Door contact switch
- WLAN - Home connect enabled
- cookControl Plus
- bakingSensor roastingSensor Plus
- Electronic oven clock timer
- Integral cooling fan
- 5 shelf positions in oven

##### Cleaning

- activeClean
- Full glass inner door

##### Programmes/functions

- Oven with 15 PC heating methods: 4D hot air, hotairGentle, conventional top & bottom heating, Conventional heat Gentle, hot air grilling, full width grill, half width grill, Pizza setting, coolStart, bottom heat, intensive conventional heat, low temperature cooking, keep warm, dehydrate, plate warming
- Fast preheat

##### Accessories

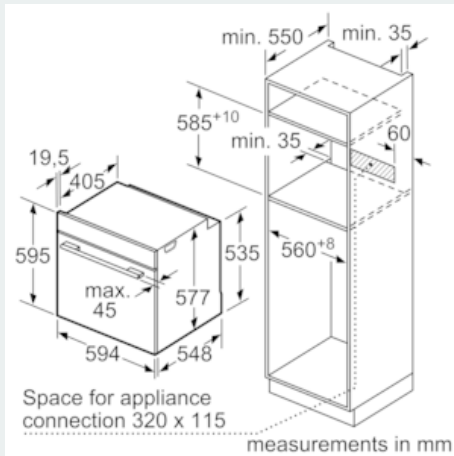
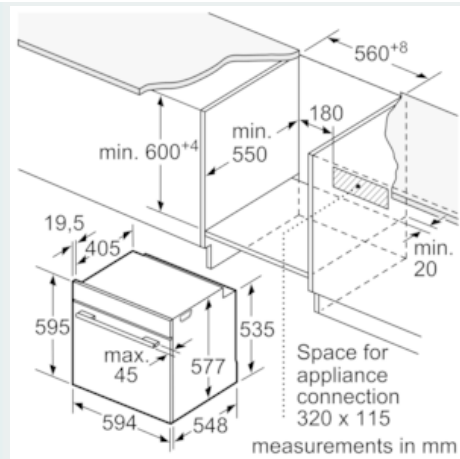
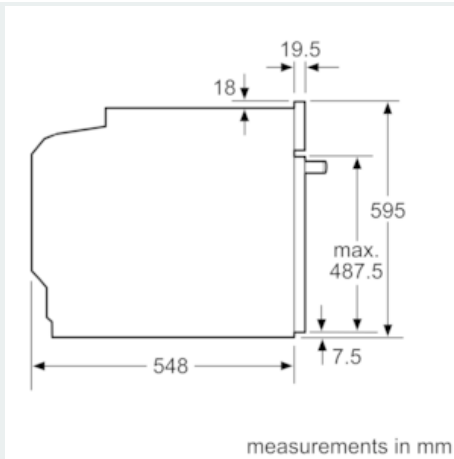
- 2 x combination grid, 1 x universal pan
- Cavity with shelf support rails

##### Technical information

- Energy efficiency rating (acc. EU Nr. 65/2014): A+ Energy consumption per cycle in conventional mode: 0.87 kWh Energy consumption per cycle in fan-forced convection mode: 0.69 kWh Number of cavities: Main cavity Heat source: electrical Cavity volume: 71 litres
- Temperature range 30 °C - 275 °C
- Total connected load electric: 3.6 KW
- 120 cm Cable length
- Nominal voltage: 220 - 240 V
- Appliance dimension (hwxwd): 595 mm x 594 mm x 548 mm
- Niche dimension (hwxwd): 585 mm - 595 mm x 560 mm - 568 mm x 550 mm
- Please refer to the dimensions provided in the installation manual

**iQ700, Built-in oven, 60 cm, Stainless steel  
HB678GBS6B**

Dimensioned drawings



If the appliance will be installed underneath a hob, the following worktop thicknesses (including substructure if necessary) must be taken into account.

Hob type	min. worktop thickness	
	fitted	flush
Induction hob	37 mm	38 mm
Full surface Induction hob	47 mm	48 mm
Gas hob	30 mm	38 mm
Electric hob	27 mm	30 mm