

DGM 7440

Steam oven with microwave  
for healthy cooking and rapid heating-up with networking.



- Large clear text display with sensor controls – DirectSensor
- Perfect results – DualSteam technology
- Consistent and quick microwave results – Quick & Gentle
- Perfect results guaranteed every time – Automatic programmes
- Shorter cooking durations by combining steam with microwave power

EAN: 4002516166481 / material number: 11094480

<b>Model and design</b>	
Steam oven with microwave	•
PureLine	•
Appliance colour	Stainless steel/Clean Steel
<b>Convenience features</b>	
External steam generation	•
Menu cooking without transfer of taste	•
Automatic programmes with programmable settings for cooking results	•
Keeping warm	•
<b>Operating modes</b>	
Defrosting	•
Steam cooking	•
Sous-vide	•
Reheat	•
Microwave	•
Special applications	•
<b>User convenience</b>	
Display	DirectSensor
MultiLingua	•
Popcorn function	•
Quantity-independent cooking	•
Steam cooking on up to 3 levels at the same time	•
Steam reduction before end of programme	•
Time of day display	•
Date display	•
Minute minder	•
Actual temperature display	•
Recommended temperature	•
Quick microwave	•
User programmes	20
Individual settings	•
<b>Cleaning convenience</b>	
Stainless steel front with CleanSteel finish	•
External steam generator	•
Floor heater for condensate reduction	•
Soak programme	•
Quick-release side racks	•
Automatic descaling	•
CleanGlass door	•
<b>Steam technology and water supply</b>	
DualSteam	•
Water reserve for approx. 90 min cooking	•
Fresh water container	•
Removal of fresh water container with Push2release mechanism	•
<b>Appliance networking</b>	
WiFiConn@ct	•

more information:  
<http://www.miele.co.uk/domestic>

For further information please see next page...

DGM 7440

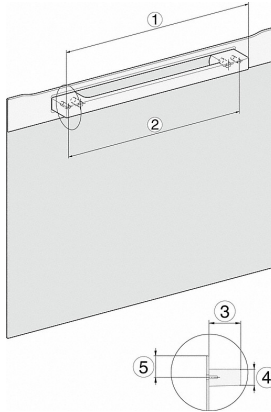
Steam oven with microwave  
for healthy cooking and rapid heating-up with networking.



<b>Safety</b>	
Appliance cooling system and touch-cool fronts	•
Safety switch-off	•
System lock	•
Vapour cooling system	•
<b>Technical data</b>	
Oven compartment volume in l	40
No. of shelf levels	4
Door hinge	Bottom
Microwave power levels in W	80/150/300/450/600/850/1000
Niche depth in mm	550
Appliance width in mm	595
Appliance height in mm	455
Weight in kg	30.7
Total rated load in kW	3.3
Voltage in V	230
Number of phases	1
Fuse rating in A	13
<b>Standard accessories</b>	
Perforated stainless steel cooking container	2

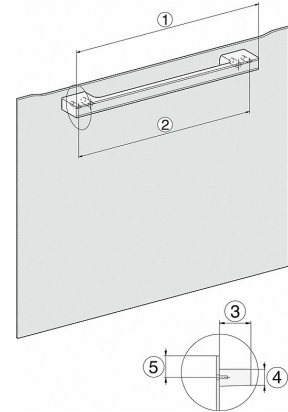
DGM 7440

Steam oven with microwave  
for healthy cooking and rapid heating-up with networking.



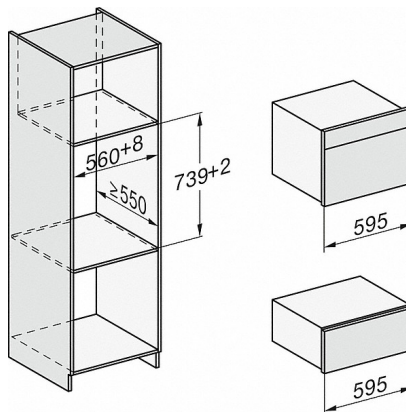
DG2840, DG7x40, DGC7x4x, DG7x6x, DGC7x6x, DGD7635, DGM7x4x, DO7, H28B/BP, H7x4xB/BM/BP, H7x6xB/BP, installation drawing

- 1) 400 mm
- 2) 360 mm
- 3) 47 mm
- 4) 24 mm
- 5) 31,8 mm

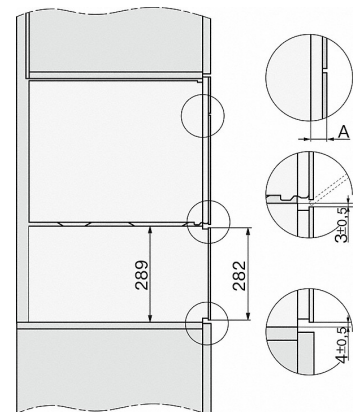


DG7x40, DGC7x4x, DGC7x6x, DG7635, DGM7x4x, DO7, H2860B/BP, H240BM, H7x40BM, H7x4xB/BP, H7x6xB/BP, installation drawings

- 1) 400 mm
- 2) 360 mm
- 3) 47 mm
- 4) 27 mm
- 5) 32,5 mm



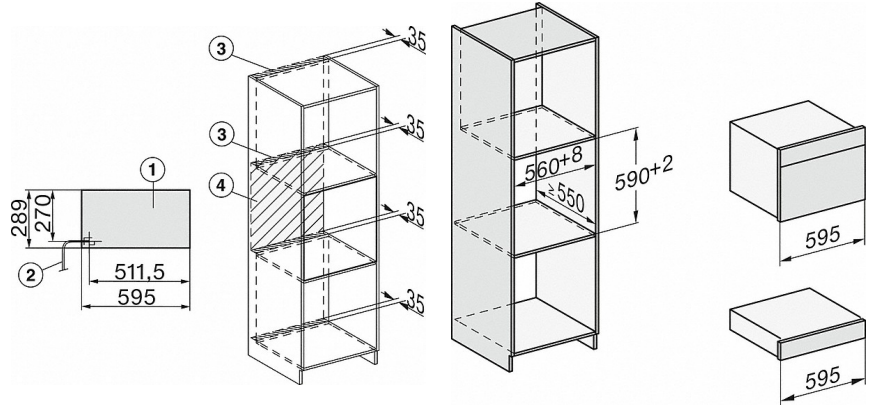
ESW7x20, installation drawings



ESW7x20, DG7xxx, DGM7xxx installation drawings

DGM 7440

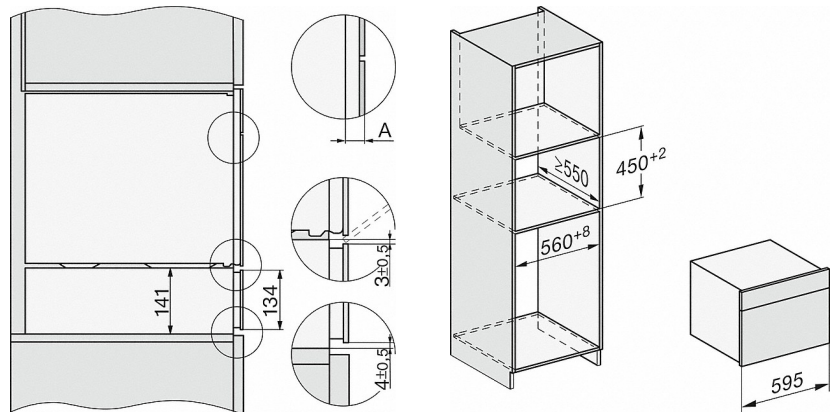
Steam oven with microwave  
for healthy cooking and rapid heating-up with networking.



ESW7x20, DGM7x4x installation drawings

ESW7x10, installation drawings

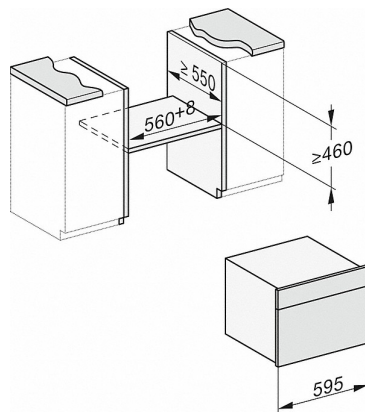
- 1) Front view
- 2) Mains connection cable, L=2.000 mm
- 3) Ventilation cut min. 180 cm<sup>2</sup>
- 4) No connection in this area



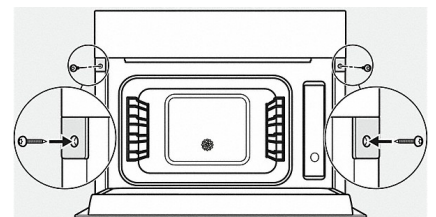
ESW7x10, EVS7010, DG7x4x, DGM7x4x installation drawings

DG7xxx, DGM7xxx, installation drawings

- A) 22 mm glass, 23,3 mm stainless steel



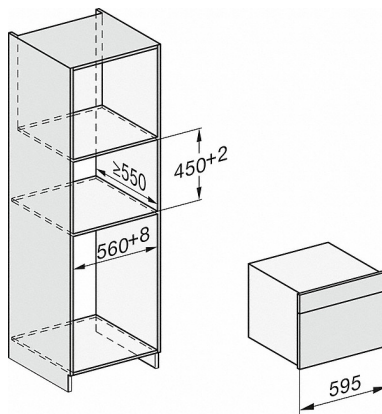
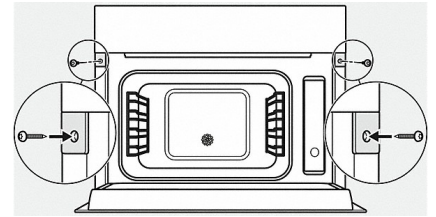
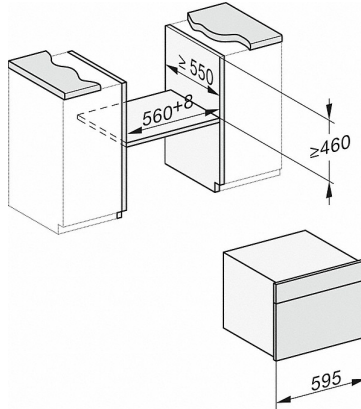
DG7x4x, DGM7x4x, DGC7x4x, DGC7x4xX installation drawings



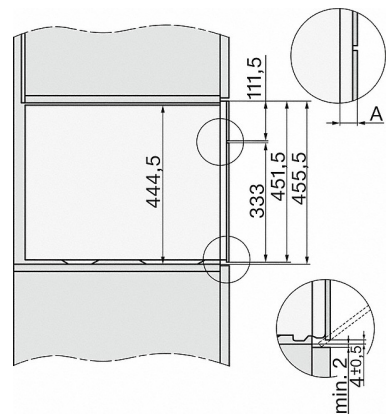
DG7xxx, DGM7xxx, installation drawings

DGM 7440

Steam oven with microwave  
for healthy cooking and rapid heating-up with networking.



DG7x4x, DGM7x4x, installation drawings



DG7x4x, DGM7x4x, DG7x4x-55, DGM7x4x-55, installation drawings

A 22 mm glass  
23,3 mm metal