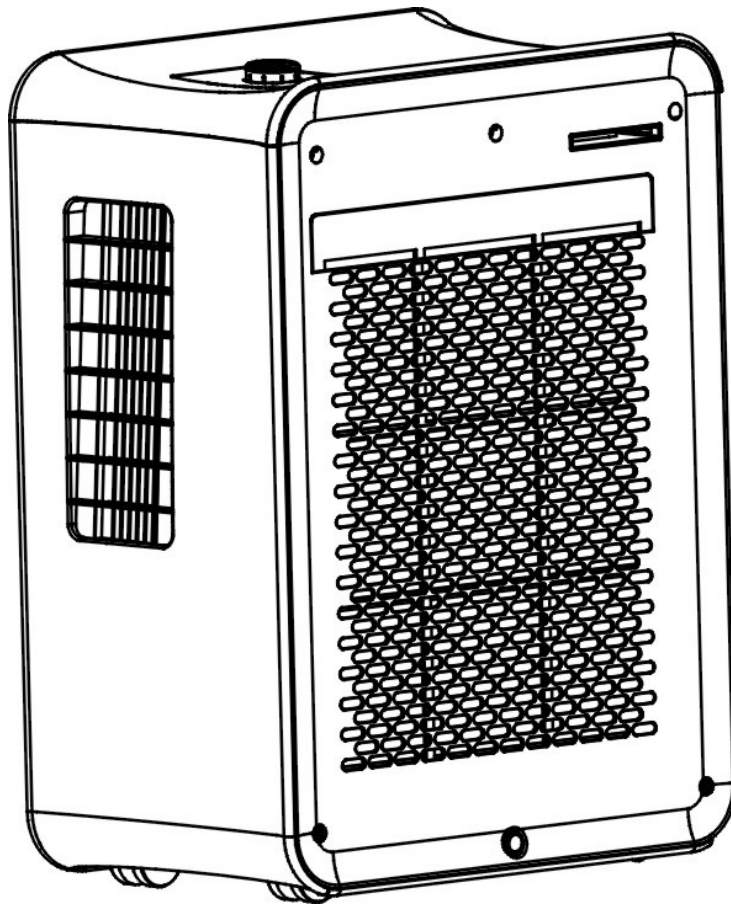


electriciQ

AIRCUBE[®] AC9000E
PORTABLE AIR CONDITIONER WITH HEAT PUMP
USER MANUAL



Thank you for choosing ElectriciQ
Please read this user manual before using this innovative Air Conditioner and keep it safe for
future reference.

Visit our page www.electriQ.co.uk for our entire range of Intelligent Electricals

CONTENTS

1. SAFETY INSTRUCTIONS	3
2. FEATURES AND PARTS LIST	5
3. INSTALLATION	6
4. OPERATION AND SETTINGS	8
5. WATER-DRAINAGE	9
6. MAINTENANCE	11
7. TROUBLE SHOOTING	12
8. APPENDIX	13

SAFETY INSTRUCTIONS

Important!

- Carefully read the instructions before operating the unit. Please retain this manual for future reference.
Note: This AC is for indoor use only.
- Rating: This unit must be only connected to a 220-240 V / 50 Hz earthed outlet.
- Installation must be in accordance with regulations of the country where the unit is used.
- If you are in any doubt about the suitability of your electrical supply have it checked and, if necessary, modified by a qualified electrician.
- This air conditioner has been tested and is safe to use. However, as with any electrical appliances - use it with care.
- Disconnect the power plug from socket before dismantling, assembling or cleaning.
- Avoid touching any moving parts of the appliance.
- Never insert fingers, pencils or any other objects through the guard
- This appliance is not intended for use by persons (including children) with reduced physical, sensory or mental capabilities. It is also not intended for use by those with a lack of experience and knowledge, unless they have been given supervision or instruction concerning the use of the appliance by a person responsible for their safety. Do not leave children unsupervised with this appliance.
- Do not clean the unit by spraying it or immersing it in water.
- Never connect the unit to an electrical outlet using an extension cord. If an outlet is not available, one should be installed by a qualified electrician.
- Never operate this appliance if the cord or plug is damaged. Ensure the power cord is not stretched or exposed to sharp object/edges.
- A damaged supply cord should be replaced by the manufacturer or a qualified electrician in order to avoid a hazard.
- Any service other than regular cleaning or filter replacement should be performed by an authorized service

representative. Failure to comply could result in a voided warranty.

- Do not use the appliance for any other purposes than its intended use.
- **The air conditioner unit must always be stored and transported upright, otherwise irreparable damage may be caused to the compressor; if in doubt we suggest waiting at least 24 hours before starting the unit.**
- Avoid restarting the air conditioning unit unless 3 minutes have passed since being turned off. This prevents damage to the compressor.
- Never use the mains plug as a switch to start and turn off the air conditioning unit. Use the provided ON/OFF switch located on the control panel.
- Always place the unit on a dry and stable surface.
- The appliance should not be installed in laundry or wet rooms

Energy Saving and Unit Safety Protection Tips

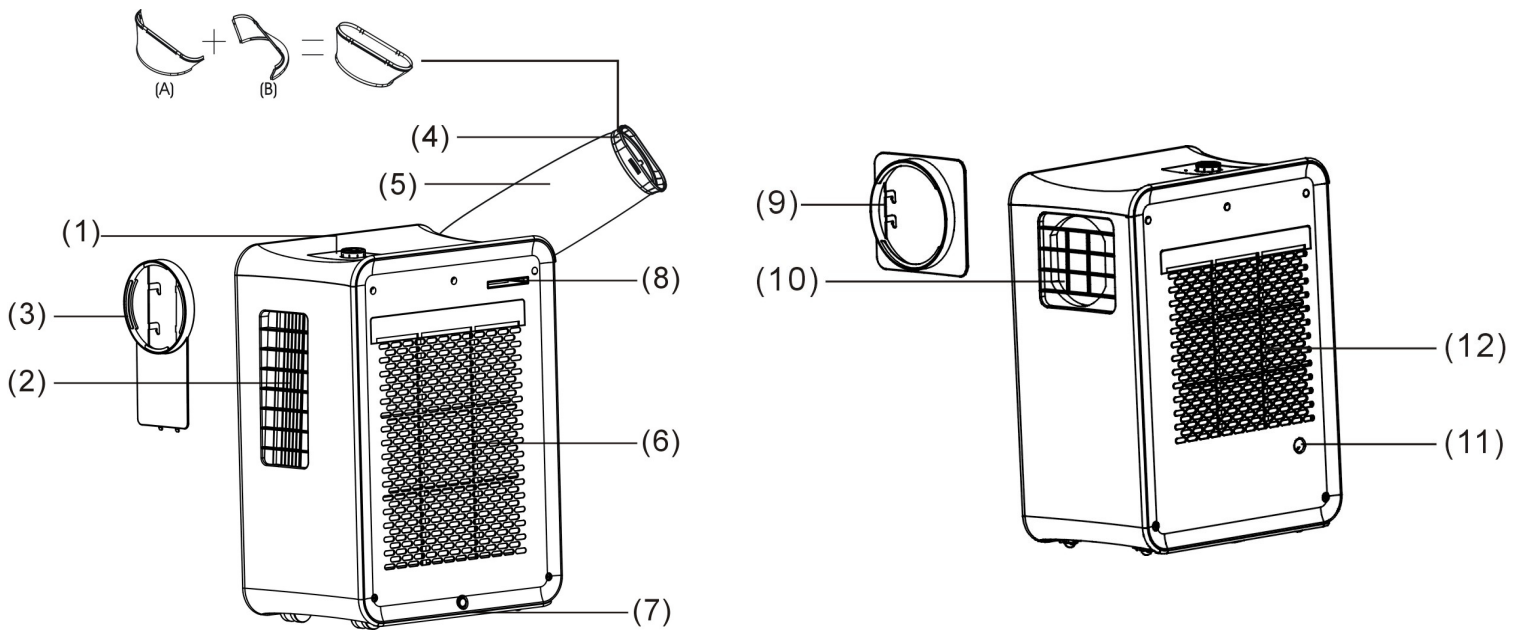
- Do not cover or restrict the airflow from the outlet or inlet grills.
- For maximum performance the minimum distance from a wall or objects should be 50cm. Unit is fitted with thermal cut off sensor that will prevent overheating
- Keep the filters clean. Under normal conditions, filters should only need cleaning once every three weeks (approximately). Since the filters remove airborne particles, more frequent cleaning maybe necessary, depending on the air quality.
- For the initial start-up set the fan speed to maximum. After, set the fan switch to low if you want to run the unit quieter
- To protect the unit we recommend not using the cooling function when the ambient temperature is higher than 35°C.
- To protect the unit we recommend not using the heating function when the ambient temperature is lower than 15°C. Use electrical or alternative heating to raise the room temperature to 15°C than start the air conditioner in heat mode. Heating by heat pump will take longer but is cheaper than any other form of heating and ideal for maintaining comfortable room temperature.

FEATURES AND PARTS LIST

1. Features

- Part of ElectrIQ AirCube[®] range of Air Conditioning products
- Cooling, Heating and Fan mode for all around the year use
- Improves comfort and indoor air quality
- Reduces the humidity in the air
- Self-evaporative system - no external water tank needed
- Compact, designer inspired model
- Side vents to prevent dust and dirt entering the machine.
- The hot air outlet is positioned high on the unit – this allows for improved performance with the use of a short hose
- Two Speeds fan great for selecting improved performance vs. quieter operation
- Advanced Compressor protection technology
- Recessed castors for improved portability

2. Parts list:



1. Control panel (control knob)
2. Cold air outlet
3. Cold air outlet hose mount
4. Exhaust hose connector
5. Exhaust hose
6. Hot air inlet

7. Bottom drain port
8. RC slide in slot (NA)
9. Hot air outlet hose mount
10. Hot air outlet
11. Secondary drain port
12. Cool air inlet and Evaporator filter

INSTALLATION

Warning: Before using this unit, please keep it upright for at least 3-4 hours.

This unit can easily be moved from one room to another.

While moving the unit please note that it must always be kept upright and then placed on an even surface.

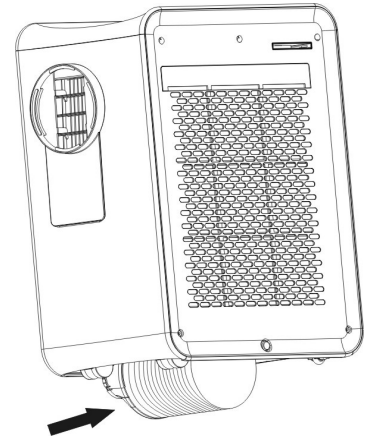
Unpacking

Open the box and remove all the packing out of the way

Grip the unit by the carry handles located on either sides of the unit and carefully lift until it slides out of the foam base

Lift and lean the unit slightly to take out exhaust hose from under the unit as in the picture attached

Install the exhaust hose on the unit before operating the unit



CONTENTS

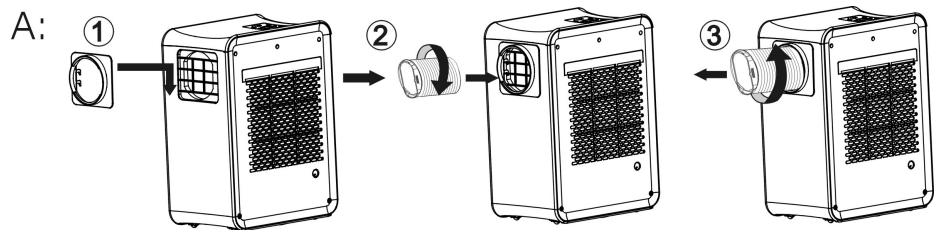
1 / Air conditioner unit

2 / Side hose mount

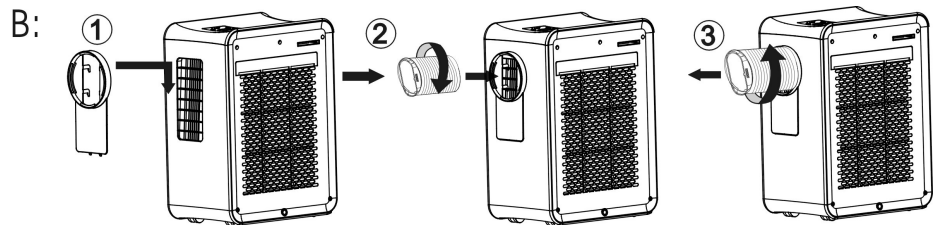
3 / Hose and window kit

Assemble the hose

1. Clip the hose connector to side of the unit
2. Insert the hose and rotate is firmly into adapter
3. To remove the hose reverse the procedure

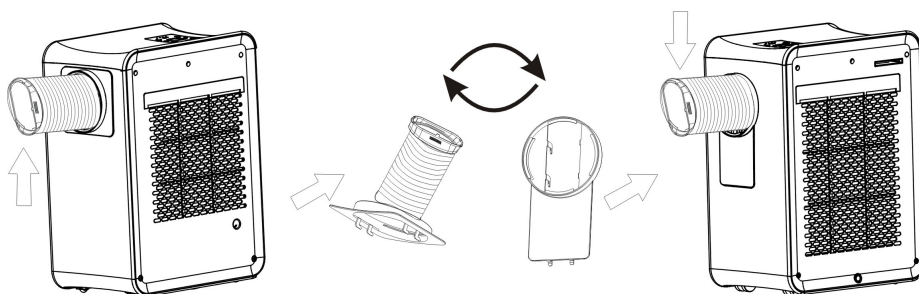


Note: To install the hose for **heat mode** please remove the hose and clip as in figure C① and reversing it to the other side of the unit using the adapter



provided. Assemble the adapter on the panel facing the grills as in figure (B). After insertion of the adapter the procedure is the same as in figure (A). **In heat mode the unit will look as in figure C②.**

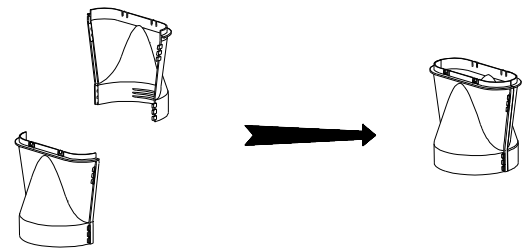
C: ① hose+clip / adapter ②



Assemble hose fish tail adaptor: Prepare both parts of hose adaptor and clip them together. Do not push too hard as this may cause damage.

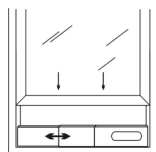
Extend one head of the hose and screw the adaptor to it.

Note: to screw it into place should take no less than three rotations



Installation of window kit

partially open the window and then fix the window kit to the window



Window slider kit
min: 55cm
max: 100cm

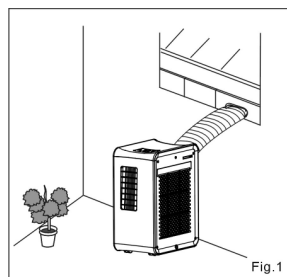
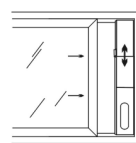


Fig.1



Window slider kit
min: 55cm
max: 100cm

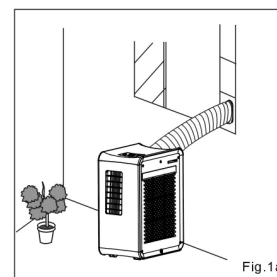


Fig.1a

Clip the other end of the hose with the fishtail adaptor to the air outlet of the window slider

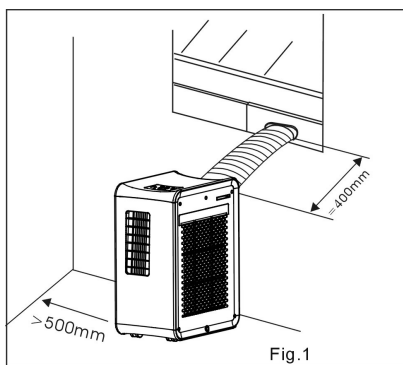
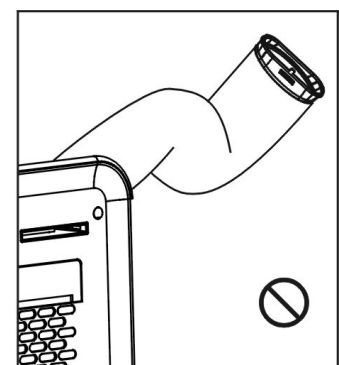
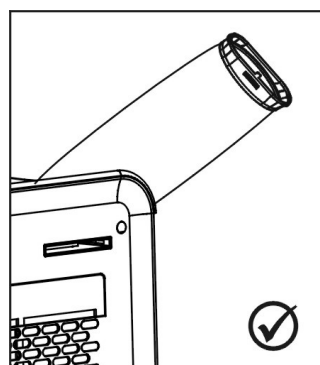


Fig.1



Make sure the unit is upright and there are no obstructions to the air inlets and outlet grills.

Note: The window kit is only designed to be installed with sliding or sash windows or doors. The window kit is not made to be used with any other style of windows. However the fish tail adaptor can be used with most windows / doors but there will be cold air escape making unit less efficient. When using the cooling mode ensure that the opening left is as small as possible. The best form of installation is through a wall duct.

Please note that the unit will need to be vented out in heating mode, ideally through the wall. By properly venting your air conditioner expels cold air from your room while efficiently heating it.

Important safeguards

The length of the soft hose extends from 28 cm to 150 cm. If hose is extended above this length the unit may malfunction and this can invalidate the warranty. The shorter the hose the better the results. The outlet vent must be well ventilated and not obstructed as this will cause the unit to overheat. Avoid bending the air hose more than 30 degrees.

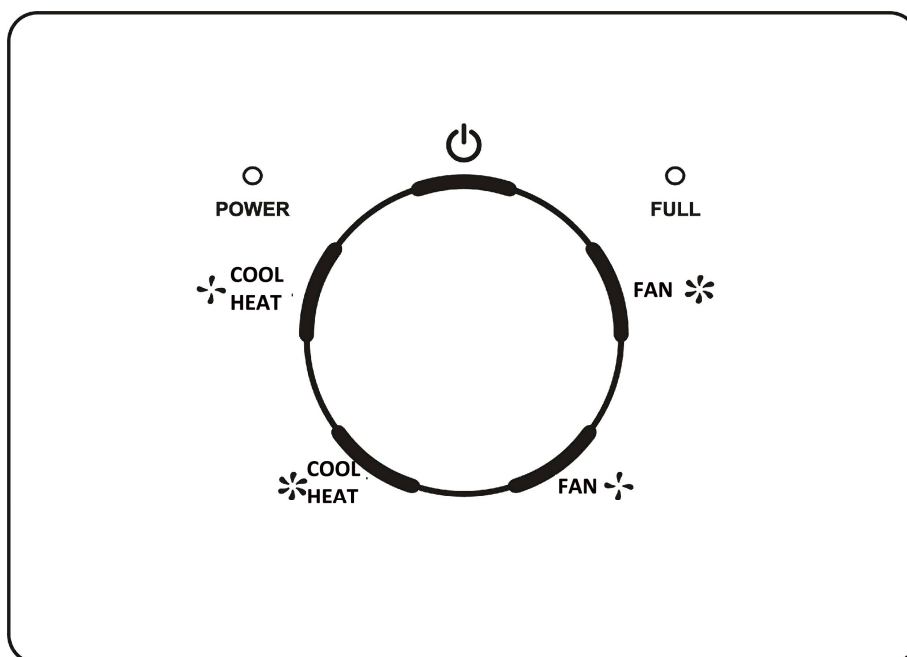
OPERATION AND SETTINGS

This portable air conditioner features three functions: cooling, heating and fan. Also the unit will reduce the humidity in the room by extracting water in cooling or heating mode.

The fan has two speeds: high and low

1. Control instruction:

Control panel:



Make sure the knob is in the off position before plugging the unit in.

Starting the unit

1. Turn the control knob to the "OFF" position.
2. Plug the unit into an appropriate power supply.
3. Turn the control knob to "COOL/HEAT", the cooling/ heating light is on while the unit is in operation.

Turning off the unit

Turn the control knob to the "OFF" position and the unit will stop operating.

FAN MODE

Low Fan Speed: Turn the control knob to the "FAN" position, the unit operates at low fan speed.

High Fan Speed: Turn the control switch to the "FAN" position, the unit operates at high fan speed.

Compressor will not start in fan mode, unit will just move the air around the room.

Cooling/ Heating mode

HIGH Cooling/ Heating: Turn the knob to the "COOL/HEAT" position, high cooling/ heating mode is activated.

LOW Colling/ Heating: Turn the knob to "COOL/HEAT" position, low cooling/ heating mode is activated.

The compressor will be active on in this mode.

To use the unit in heat mode please ensure that is installed as in figure C2, page 5 with unit expelling cold air via the exhaust hose and hot air from the front vent back into the room.

FULL: When the internal water tank is full, the full light will be on.

Multi protective function

Anti-freezing protecting control:

When the ambient temperature is low while in Cooling Mode, the compressor and water pump will stop working if the copper coil temperature is too low. When the copper coil temperature increases, the protection will be stopped automatically.

Water-full protection:

When the water level in the internal water tank is surpassing the maximum level, the unit will stop and Full light will turn on. Please discharge water. In the machine according to "Water Drainage" section.

Compressor protection

Compressor has an overheating protection function and may stop to prevent compressor damage. Also the compressor runs under a 3 minute delay protection function.

WATER-DRAINAGE

This model is an advanced self-evaporative air conditioner, which reduces the need to empty the water tank in cooling mode. If the unit is vented correctly most of the water is reused to cool the condenser coils and any excess is evaporated. Please make sure that the rubber cap is firmly secured on drain hose, when the unit is running. In extreme humidity or while the unit is in reverse heating the internal water tank may fill quicker triggering the tank full alarm.

Please do not use continuous drainage if you intend to use the self-evaporating facility for improved cooling effect.

Manual drainage:

- 1.1 When the internal water tank is full the unit will stop working.
- 1.2 Shut off the unit and unplug. Try not to move the model abruptly as this may cause water to spill out from internal water tank.
- 1.3 Place a tray under the water plug.
- 1.4 Screw off the water plug and unplug the water blocker - water will drain from the internal container.
- 1.5 Put the water blocker back

2. Continuous drainage:

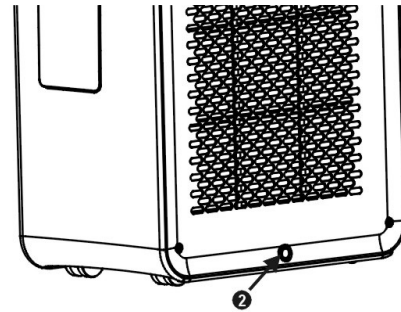
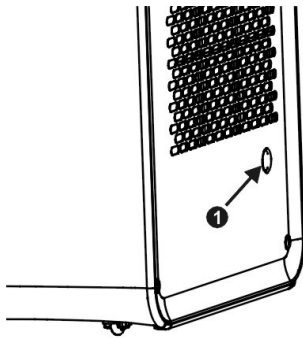
- 2.1 Remove the water plug
- 2.2 Use a water pipe to connect to the water outlet.
- 2.3 You can plumb this pipe into your current plumbing system, lead it outside or use a water pump.

Note

When the unit is in the cooling mode, it is recommended not to have the drain pipe installed. Please make sure that the rubber cap is in place when the unit is running.

When operating the heating function, the low rubber cap ① on drain port could be pulled out and install a permanent drain pipe in order to improve the heating effect

※ When the water tank fills, the "FULL" light is on. To resume operation, please unplug the unit before removing the rubber cap "②" of the drain hole to drain out the water. After the drainage is completed, please plug the unit and restart it.



Maintenance

Cleaning

Please shut off the unit and unplug from the mains before cleaning or performing any maintenance

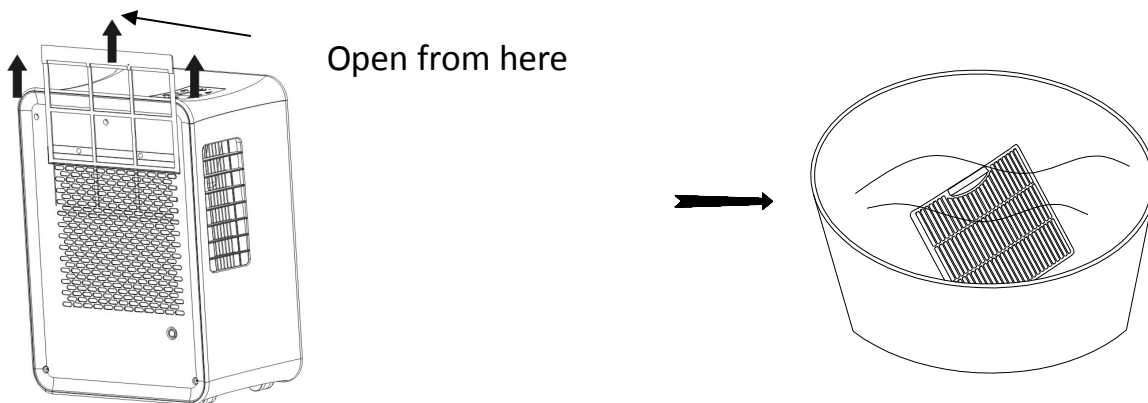
Clean the surface

Clean the plastic housing with a duster or a soft wet cloth.

Do not use chemical solvents (such as benzene, alcohol or gasoline) as they may cause irreversible damage.

Air filter cleaning

- a) Clean the air filters every 2 weeks. If the air filter is blocked with dust, the unit's performance will be significantly affected.
- b) Pull out the top and bottom filters as pictured below
- c) Wash the air filters by immersing them in warm (about 40°C) water with a neutral detergent.
- d) Rinse it and then dry it thoroughly.
- e) Carefully re-install air filters



End of Season Maintenance:

1. Pull out the plug from the drainage hole and empty the internal tank. You can also drain the water by leaning the unit.
2. Then switch the unit to low fan mode
3. Keep the unit in this mode for half day - until the conduit is dried. Doing this helps to keep the inside of the unit dry and prevents mould developing
4. Turn off the unit and pull out the plug.
5. Separate the air-exhausted pipe and store it safely.
6. Cover the unit and keep it in a dry place.

Troubleshooting

Do not repair or disassemble the unit by yourself.

Unauthorized repair attempts will invalidate the warranty and may cause bodily harm.

Trouble	Reason	Solution
The unit does not work	No power supply	Power-on and turn on the unit.
	Water-full indicator	Drain the internal water tank
	Room temperature too low or too high	Use only in ambient temperatures between 15-35°C
	Windows or doors open. Large amount of people or a heat source in the room.	Close windows and turn on another air conditioner
	Filter is very dirty	Clean or change the air filter
	Air inlet or air outlet is blocked	Clear out debris
The unit loud	The unit is not put on flat surface	Put the unit on flat and hard surface
Compressor does not work	Overheating protection is active	Check venting. Restart the unit after 5 minutes when compressor has cooled

If the above solutions do not resolve the problem please contact the service centre.

APPENDIX



Disposal: Do not dispose this product as unsorted waste. Collection of such waste must be handled separately as special treatment is necessary.

Recycling facilities are now available for all customers at which they can deposit old electrical products. Customers will be able to take any old electrical equipment to participating civic amenity sites run by their local councils. Please remember that this equipment will be further handled during the recycling process, so please be considerate when depositing your equipment. Please contact the local council for details of your local household waste recycling centres.

TECHNICAL DATA:

MODEL	AIRCUBE® AC9000E
Capacity	Cooling: 2 kW
	Heating: 2 kW
Rated Input (EN 60335)	Cooling: 900 W
	Heating: 700 W
Running Current	Cooling: 4.1A
	Heating: 3.2 A
Max Noise Level (Sound Pressure)	52 dB(A)
Noise Level (Sound Energy)	65 dB(A)
Air Flow	330 m ³ /hr
Maximum Allowable Pressure	5.5 Mpa
Permitted Excessive Operating Pressure	2.3/3.5 MPa
Power Supply	220-240V/50Hz
REFRIGERANT	R410A
Moisture Removal	30l/day (at 30C/80%RH)
Net Weight	22.5 kgs
Dimension(L*D*H)	455x300x630 mm
Unit must be vented outside when in Air Cooling and Heating mode. For the purposes of EU regulation EN12102 this is a <i>local air conditioner</i> and produces less than 65dB(A) sound energy.	

(CE) N 842/2006:

R410A is a fluorinated greenhouse gas covered by the Kyoto Protocol. Its total global warming potential (GWP) is 2088.

ElectriQ UK SUPPORT
www.ElectriQ.co.uk/support

Please, for your own convenience, make these simple checks before calling the service line.

If the unit still fails to operate call: 0871 620 1057 or complete the online form

- 1. Has the unit been standing upright for at least 3 hours?**
- 2. Is the unit plugged into the mains?**
- 3. Is the fuse OK?**
- 4. Switch the unit off and wait three minutes to see if the issue is resolved. Restart the unit.**
- 5. Check if the water tank is full.**
- 6. Have you checked the troubleshooting guide included in this user manual?**

Office hours: 9AM - 5PM Monday to Friday

**www.ElectriQ.co.uk
Unit 2, The Nursery
Berristow Lane
South Normanton
Derbyshire, DE55 2FX**