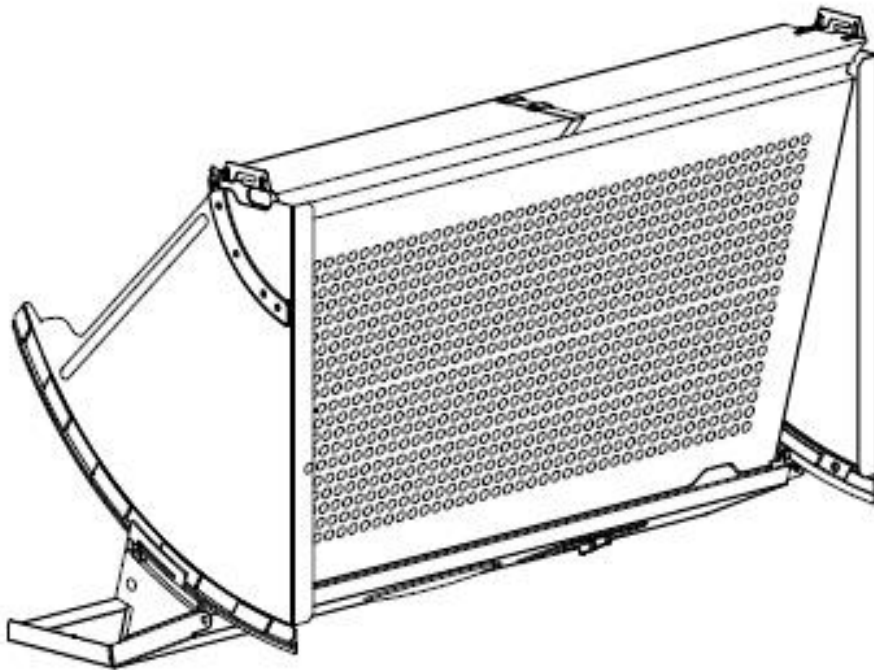


electrici

USER MANUAL



FULLY INTEGRATED BUILT IN COOKER HOOD

eiQCHINTGY60

Thank you for choosing your electriciQ cooker hood.

This instruction manual is designed to provide you with all required instructions related to the installation, use and maintenance of the appliance. In order to operate the unit correctly and safely, please read this instruction manual carefully before installation and usage.

CONTENTS

SAFETY	3
PRODUCT OVERVIEW	5
VENTILATION OPTIONS	6
INSTALLATION	7
OPERATION	10
CLEANING AND MAINTENANCE	11
FILTER INFORMATION	12
LIGHT REPLACEMENT	12
TECHNICAL INFORMATION	13
TROUBLESHOOTING	14
SUPPORT	14

SAFETY PRECAUTIONS

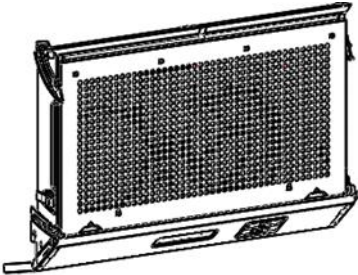
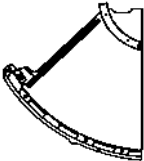
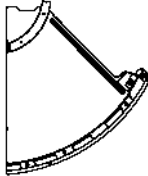
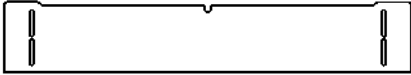
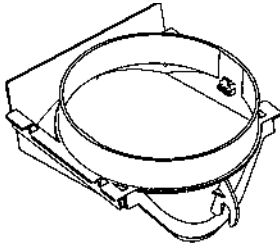

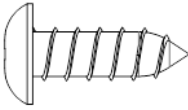
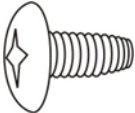
Whilst this product is compliant with all safety requirements, incorrect or inappropriate use can lead to both personal injury and potential damage to property. Please read the contents of this instruction booklet thoroughly before fitting or using this appliance.

- The cooker hood must be installed in accordance with the installation instructions and all measurements followed.
- All installation work must be carried out by a competent person or qualified electrician.
- The unit must be connected to an earthed power supply.
- If venting externally, make sure the ducting has no bends sharper than 90 degrees as this will reduce the efficiency of the cooker hood.
- The cooker hood is for domestic use only and is not designed for commercial use. It should only be used for the purpose it was intended – to extract vapours and cooking odours.
- Do not flambé or use an open flame under the cooker hood.
- Do not try to use the cooker hood without the grease filters or if the filters are excessively greasy! They should be cleaned regularly (see “Maintenance”) or replaced as necessary.
- The extraction fan must be level to avoid grease collection at one end, as this could cause a potential fire risk.
- Do not leave frying pans unattended during use because overheated fat or oils might catch fire.
- If the cooker hood is damaged, do not attempt to use it.
- If the supply cord is damaged, it must be replaced by the manufacturer, its service agent or a similarly qualified person in order to avoid a hazard.
- This appliance can be used by children aged from 8 years and above and persons with reduced physical, sensory or mental capabilities or lack of experience and knowledge if they have been given supervision or instruction concerning use of the appliance in a safe way and understand the hazards involved.
- Children shall not play with the appliance. Cleaning and user maintenance shall not be made by children without supervision.
- Children should be supervised to ensure that they do not play with the appliance. It is not a toy.
- The plug must be accessible after installation for isolation in case of an emergency – or an appropriate fused switch if the unit is hard-wired to the mains via a spur.
- The minimum distance between the surface of the hob and the lowest part of the hood should be at least 65cm. A distance of between 65cm and 75cm gives peak efficiency.
- The air must not be discharged into a flue that is used for exhausting fumes from appliances burning gas or other fuels.

- When the hood is vented externally and used with appliances which burn fuel (e.g. gas, oil, wood) the area must be sufficiently ventilated to ensure safe operation. Fresh air must be allowed to freely enter the room to prevent a partial vacuum.
- A partial vacuum can starve the heating appliance of oxygen, impairing combustion. It can also prevent toxic fumes from leaving the room, or can cause fumes to be sucked into the room from outside.
- Safe operation is only possible when the partial vacuum within the working area does not exceed 4 Pa (0.04 mbar). This can be achieved by ensuring air is able to enter the room from outside through a suitable sized opening which cannot be sealed during operation. A number of alternative solutions are available to ensure this. If in any doubt, professional advice should be sought.
- Regulations concerning the discharge of air have to be fulfilled.
- There is a potential fire risk if cleaning is not carried out in accordance with the instructions.
- Clean your appliance periodically by following the method given in the chapter MAINTENANCE
- If used in recirculation mode, the charcoal filters trap odours and must be replaced at least once a year depending on how frequently the cooker hood has been used.
- For safety reason, please use only the same size of fixing or mounting screw, which are recommended in this instruction manual.
- Warning: Failure to install the screws or fixing device in accordance with these instructions may result in electrical hazards

CAUTION: Accessible parts of the hood can become very hot during use with cooking appliances, whether in use or not, due to heat rising from the hob. Sufficient time should be allowed for the unit to cool before touching either the housing or the grease filters

PRODUCT OVERVIEW - PARTS SUPPLIED

Description	Illustration	Qty.
Cooker hood		1
Left fan shaped frame		1
Right fan shaped frame		1
Adjusting plate		1
Outlet		1
Air Flaps (120MM)		1 pair
Flat self-tapping screw ST4*14mm		16
Flat self-tapping screw ST4*8mm		4

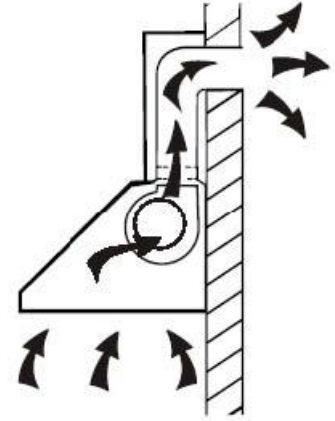
OPTIONS FOR VENTILATION

This hood can be set up for either external venting or recirculation of the air. The type of setup should be decided before commencing installation.

EXTERNAL VENTING

If you have an outlet to the outside, your cooker hood can be connected as shown in the diagram using the flexible exhaust pipe (NOT SUPPLIED). Alternatively, any suitable extraction duct (enamel, aluminium, flexible pipe or non-flammable material with an interior diameter of 120mm) can be used.

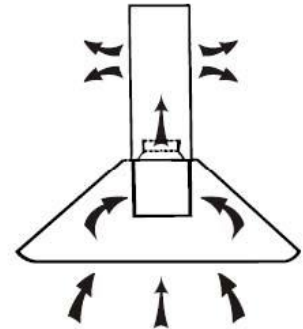
If this is the chosen installation method consideration to the route of the vent pipe should be made prior to installation.



RECIRCULATION

This cooker hood also supports the recirculation of air once it has passed through the filters. The filtered air is then expelled through the vent holes in the side of the chimney.

When setting the unit up in this configuration, carbon filters should also be used to remove odours from the air. Details of sourcing and fitting the filters can be found in the Carbon filter section.

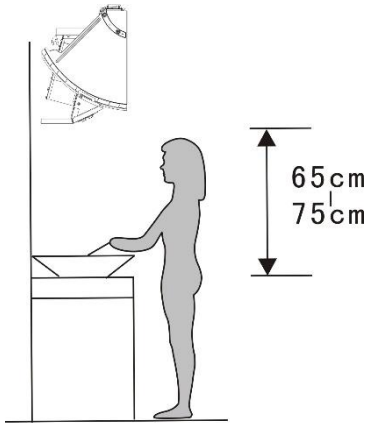


When setting up for recirculation the installation instructions should be followed, but the vent pipe should not be attached. Please note that there must be sufficient ventilation to the back of the cabinet allowing the air to re-enter the room. (at least 150cm²)

UNPACKING YOUR APPLIANCE

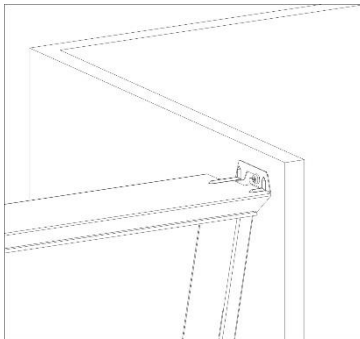
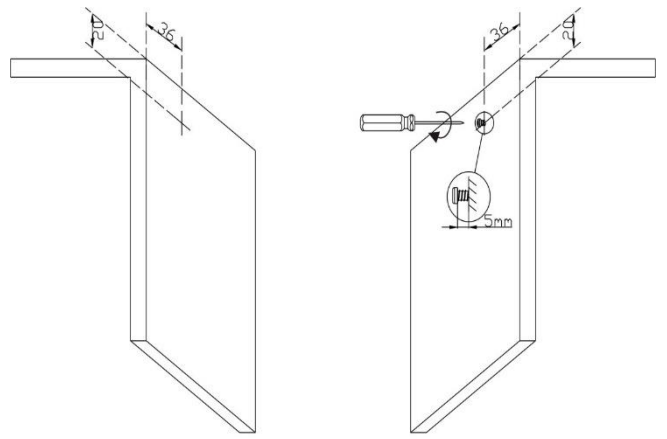
- Please take great care when unpacking; a sharp blade should not be used to open the box, as it may go deep enough inside to damage components. Components damaged or marked by careless unpacking are not covered under the guarantee.
- Carefully unpack the contents and check against the next section (Product overview – parts supplied)
- Packaging materials should be recycled in accordance with local regulations

INSTALLATION



1. The cooker hood should be placed at a height of 65-75cm above the cooking surface for best efficiency.

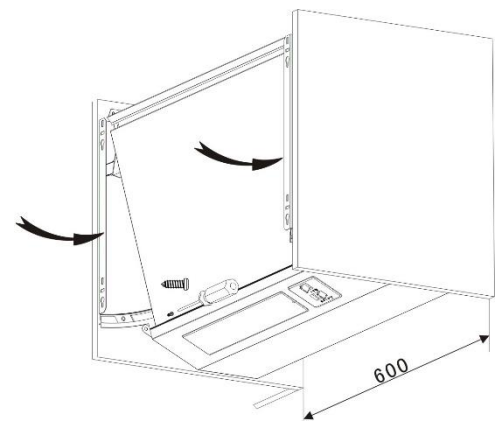
2. To install the cooker hood between two cupboards. Drill a pilot hole ($\leq 2\text{mm}$) and insert a screw on the side of each cupboard following the measurements in the diagram. The screw should protrude by 5mm, and the distance between the screw and the cooking surface should be no less than 1040mm



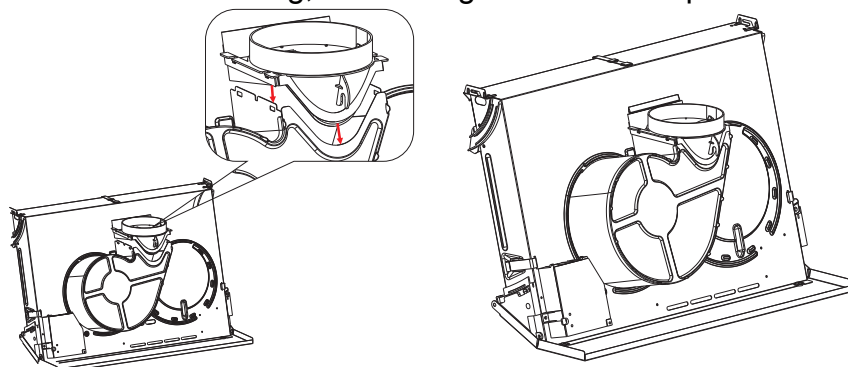
3. Hang the cooker hood on the screws between the two cupboards.

4. Push the fan-shaped frames to the end, in order to make the outer edges of the frames at the same vertical level as the outer edge of the cupboards.

5. Mark the positions for the lower screws. Drill the upper hole and fix the screws. Make sure all four screws are well fixed.



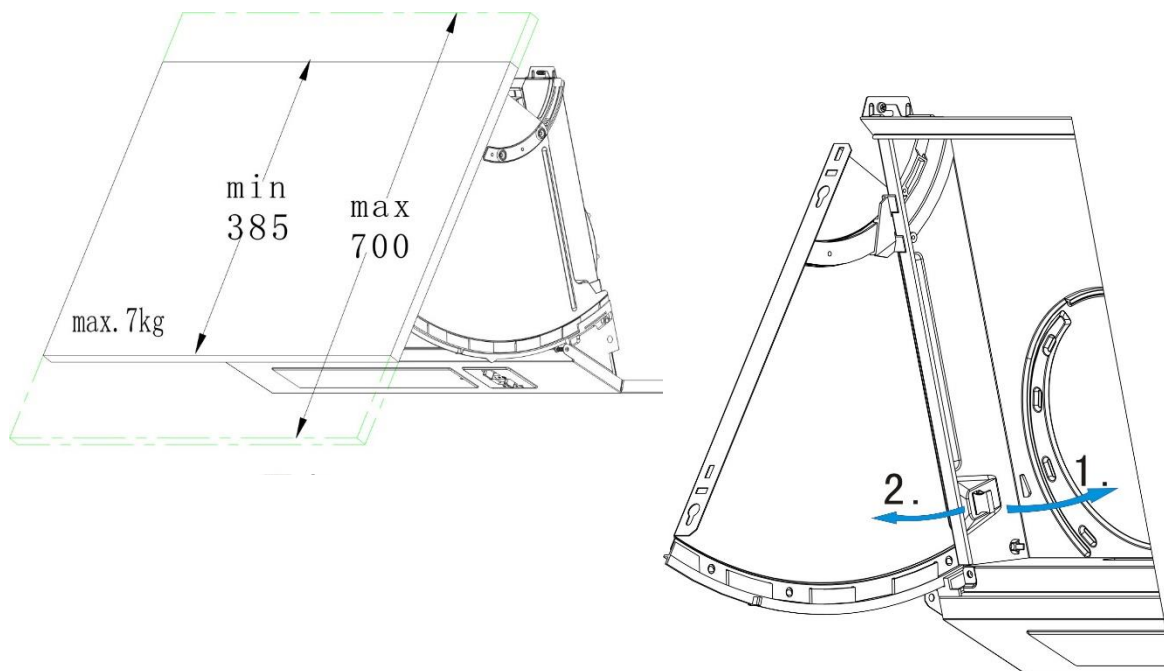
6. Install the air outlet onto the hood by aligning the 3 slide slots of the outlet with the three edges on the fan housing, and sliding the outlet into position.



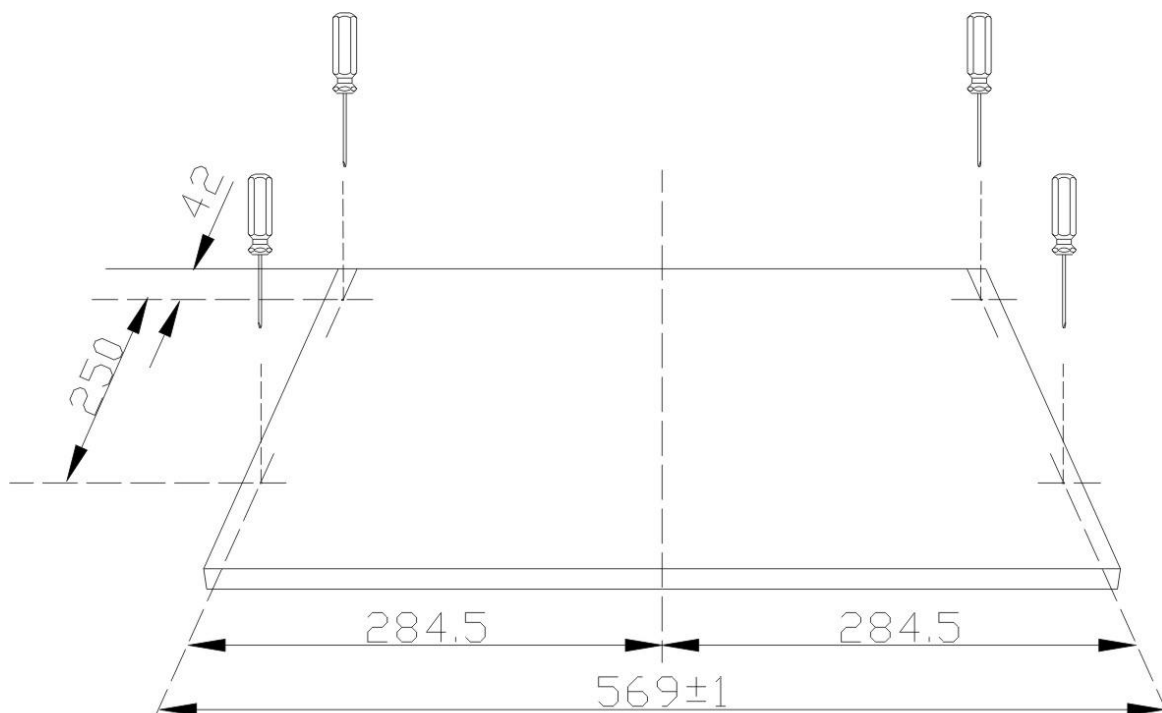
7. Connect the air-outlet board and the vent hose and route it appropriately. Rigid kits, if preferred, can be obtained from either the retailer who supplied the hood, DIY Stores or Builders Merchants.

DOOR INSTALLATION

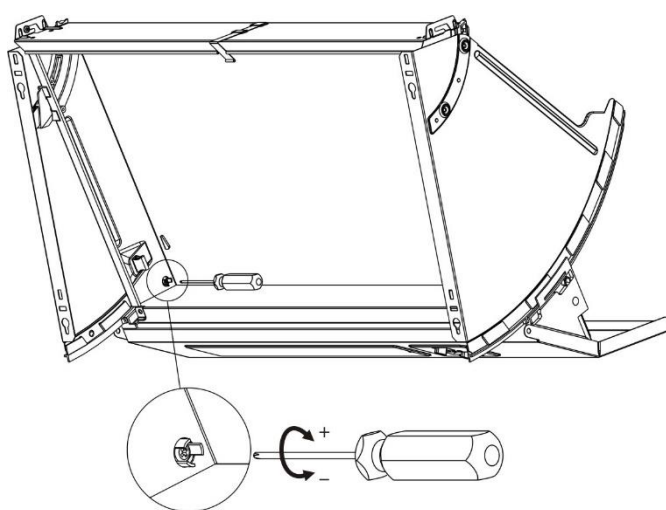
1. The door should be no less than 16mm thick, 385-700mm high, and weigh no more than 7KG. Pull out the movable fan-shaped frames by the plastic handle, and place the fan-shaped frames on each side.



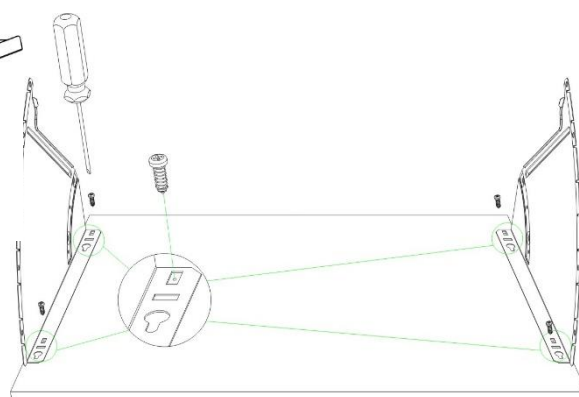
3. Mark the installation position of the door and the size of the fixed screws. If the upper edge of the door is not as high as the upper edge of the cupboards, please adjust the position accordingly. Mark the positions of the screws on the door, and make sure the position is as accurate as possible.

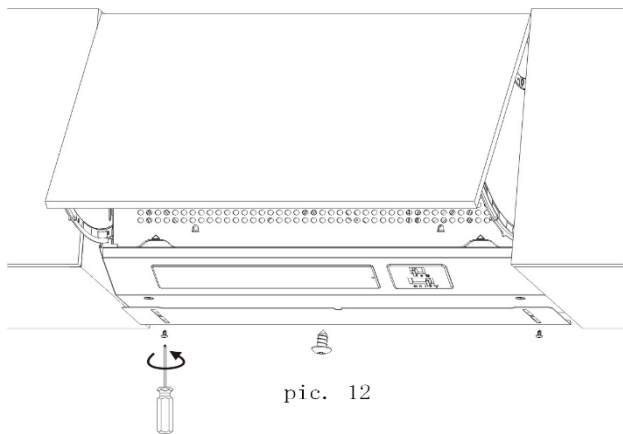


- 4.
5. Fix the fan-shaped door frames on the door with screws. Make sure the frames are symmetrical. Install the door into the cooker hood, the two sides of the door can be pulled to the end and the door can be safely locked. If the door cannot be safely locked, release the plastic handle.



10. The two screws on both sides of the cooker hood can adjust the sliding of the door, according to the weight of the door.





11. Install the adjusting plate, in order to cover the gap between the wall and the bottom of the cooker hood.

OPERATION

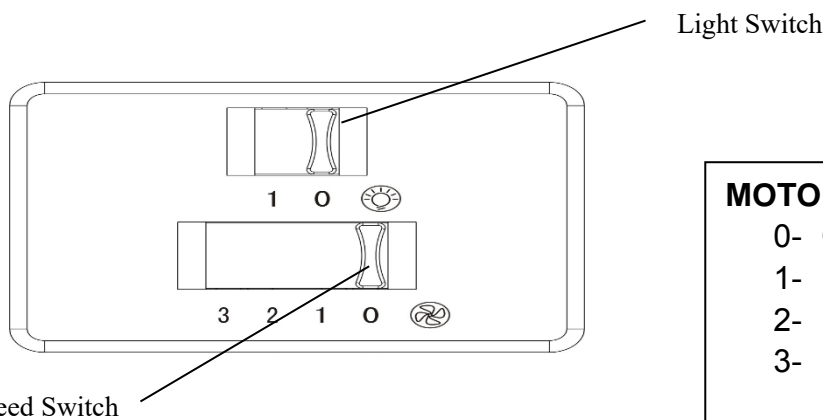
Your electriQ hood has been designed to be very simple to use.

To operate: Pull up the front panel, turn on the cooker hood, and then choose the fan speed setting.

To turn the unit off, there are two options:

1. Turn off the fan with the slide switch
2. Push down the front panel (with the fan still switched on). This will turn the hood off, and when the cooker hood is next opened, the fan speed will be the same as the last time it was operated.

The light is not affected by the position of the front panel, or usage of the fan and can be operated with the front panel is open or closed.



MOTOR OPERATION

- 0- Off
- 1- Low Power Setting
- 2- Mid Power Setting
- 3- High Power Setting

LIGHT OPERATION

- 0- Off
- 1- On

There are 3 speeds for the motor and on off switch for the lamp.

Slide the switches for operation.

CLEANING MAINTENANCE

Before cleaning, switch the unit off and disconnect the power.

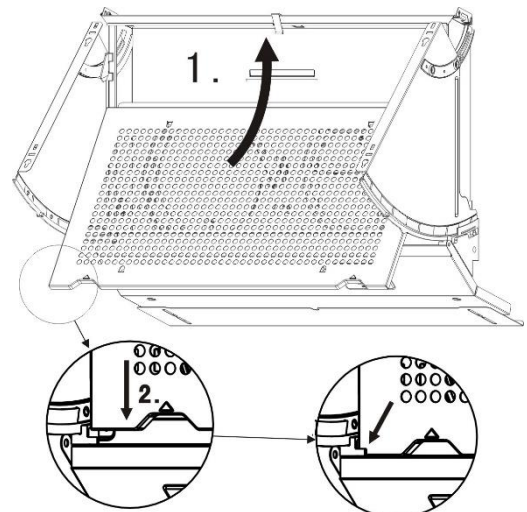
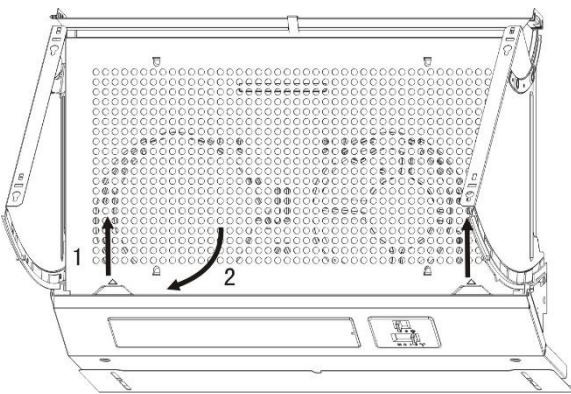
Use a soft cloth moistened with hand-warm mildly soapy water or household cleaning detergent. Never use metal pads, chemicals, abrasive material or a stiff brush to clean the unit.

Note! Do not use a steam-cleaner to clean the hood; electrical components could be damaged or short-circuit as a result.

MONTHLY CLEANING FOR METALLIC ANTI-GREASE FILTER

ESSENTIAL NOTE: Clean the filter every month; an excessive build-up of grease can become a fire hazard. The filter collects grease, smoke and dust, so the filter directly affects the efficiency of the cooker hood. If it's not cleaned, the grease residue (potentially flammable) will saturate on the filter.

Remove the filter as shown in the diagrams below:



Clean it with a soft nylon brush in a mild solution of warm water and a small amount of washing up liquid. Washing up liquid alone should not be used. After cleaning, allow the filter to drain and then dry thoroughly.

The grease filter may also be dishwasher cleaned; using a 60°C program, with the filter upright (short sides upright) in the lower basket. Please be aware some dishwasher cleaning agents can permanently discolour the filter, though this will not affect its performance.

Replacement grease filters are of the universal type available from many household and DIY stores.

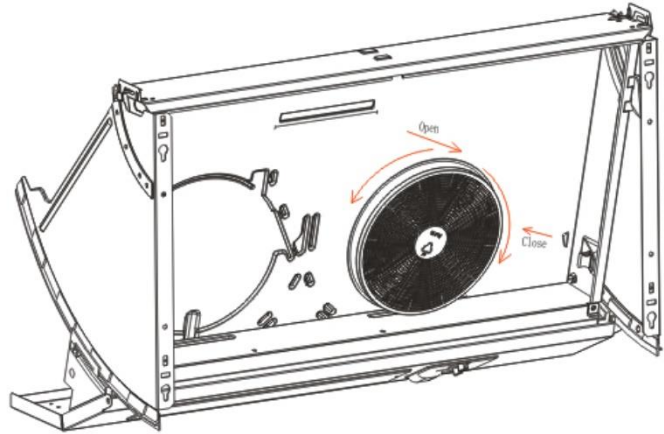
CARBON FILTER (OPTIONAL)

Activated carbon filters may be used to further trap odours (optional) and are available from the same stockist your hood was purchased from:

eIQCF110 (Carbon Filter Pack of 1)

(1) The aluminum filter should be detached first as shown in the maintenance section.

(2) The carbon filters are attached to each end of the motor housing, rotating to lock/undo.



- Make sure the filter is securely locked. Otherwise, it could loosen and cause damage to unit.
- When the activated carbon filters are attached, the suction power will be lowered.
- The charcoal filter cannot be washed or recycled. It should be changed at three or six months according to the amount of use the hood receives.

LIGHT FITTING REPLACEMENT

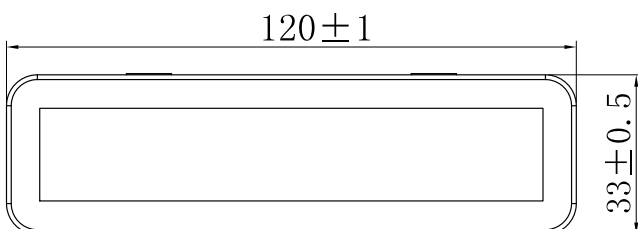
Important: The light fitting must be replaced by the manufacturer, its service agent or similarly qualified persons.

Always switch off the electricity supply before carrying out any operations on the appliance. When handling the light fitting, make sure it has completely cooled down before any direct contact to hands.

Before changing the fitting, make sure that there is no power to the hood.

Use a small flat-blade screwdriver to pry up and replace the light fitting.

- ILCOS D code for this lamp is: DBS-2/65-H-120/33
- LED modules –rectangle lamp
- Max wattage: 1×2 W
- Voltage range: AC 110-240V
- Dimensions:



TECHNICAL INFORMATION

	Symbol	Value	Unit
Model identification		eIQCHINTGY60	
Annual Energy Consumption	AEC_{hood}	33.3	kWh/a
Time increase factor	f	1.6	
Fluid Dynamic Efficiency	FDE_{hood}	11.9	
Fluid Dynamic Efficiency class		Class E	
Energy Efficiency Index	EEl_{hood}	71.8	
Energy Efficiency class		Class C	
Measured airflow rate at the best efficiency	Q_{BEP}	128.5	m ³ /h
Measured air pressure at best efficiency point	P_{BEP}	182	Pa
Maximum airflow	Q_{max}	221.7	m ³ /h
Air flow at working point (highest setting)		219	m ³ /h
Air flow at working point (lowest setting)		105.3	m ³ /h
Measured electric power input at best efficiency point	W_{BEP}	54.6	W
Nominal power of the lighting system	W_L	2.0	W
Average illumination of the lighting system on the cooking surface	E_{middle}	60	lux
Lighting efficiency	LE_{hood}	30	Lux/W
Lighting efficiency class		Class A	
Grease Filtering Efficiency	GFE_{hood}	70.8%	
Grease Filtering Efficiency (GFE hood) class		Class D	
Measured power consumption on standby mode	P_s	-	W
Measured power consumption on off mode	P_o	0	W
Sound power level (Highest setting)	L_{WA}	68	dB
Sound power level (Lowest setting)	L_{WA}	50	dB

The following shows how to reduce total environmental impact (e.g. energy use) of the cooking process).

- (1) Install the cooker hood in a proper place where there is efficient ventilation.
- (2) Clean the cooker hood regularly so as not to block the airway.
- (3) Remember to switch off the cooker hood light after cooking.
- (4) Remember to switch off the cooker hood after cooking.

TROUBLESHOOTING

Fault	Cause	Solution
Light on, but fan does not work	The fan blade is jammed.	Switch off the unit. Repair to be carried out by qualified service personnel only.
	The motor is damaged.	
Both light and fan do not work	Light bulb blown	Replace the bulb with correct rating.
	Power cord loose	Plug in to the power supply again.
Excessive Vibration	The fan blade is damaged.	Switch off the unit. Repair to be carried out by qualified service personnel only.
	The fan motor is not fixed tightly.	Switch off the unit. Repair to be carried out by qualified service personnel only.
Suction performance not good	1 Grease filters clogged 2 Distance between the unit and the cooking plane too great.	1 Clean or replace grease filters. 2. Readjust the distance to between 65cm and 75cm.

INFORMATION FOR DISMANTLING

Do not dismantle the appliance in a way which is not shown in the user manual. The appliance could not be dismantled by user. At the end of life, the appliance should not be disposed of with household waste. Check with you Local Authority or retainer for recycling advice.

electriQ UK SUPPORT

www.electriQ.co.uk/support

Call: 0330 390 3061

Office hours: 9AM - 5PM Monday to Friday

www.electriQ.co.uk

Unit J6, Lowfields Business Park

Lowfields Way, Elland

West Yorkshire, HX5 9DA



Recycling facilities are now available for all customers at which you can deposit your old electrical products. Customers will be able to take any old electrical equipment to participating sites run by their local councils. Please remember that this equipment will be further handled during the recycling process, so please be considerate when depositing your equipment. Please contact the local council for details of your local household waste recycling centres.