

USER MANUAL

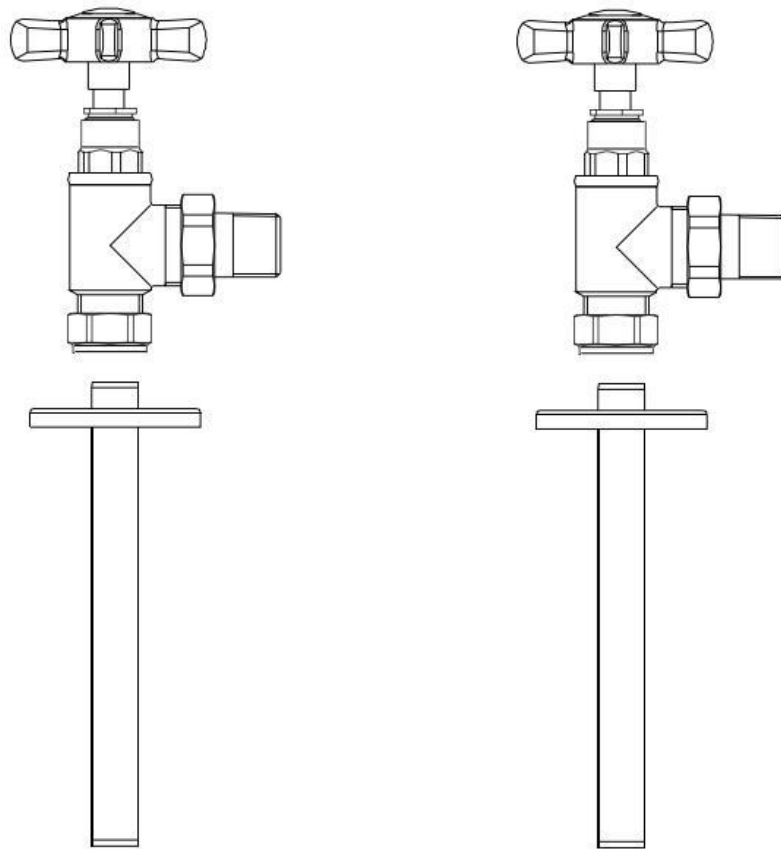


Thank you for choosing Better Bathrooms.
Please read this manual before installing your product
and keep for future reference.

better 
bathrooms

Traditional Radiator Valve

BeBa_28293 and BeBa_28294



- **Single-person assembly**
- **Tools required**
- **We always recommend using professional tradespeople to install your product**

V2_14.09.21

Congratulations on your purchase

And welcome to our growing gang of savvy shoppers

We're on a mission to bring you extraordinary bathroom products, for less. From modern to traditional style ceramics, plus the gorgeous fixtures, fittings and furniture to match. So, you can fall in love with your space every single day.

As one of the UK's largest independent bathroom stores, we've received countless awards; including the National Business Awards UK, the Digital Entrepreneur Awards and being placed on The Sunday Times Fast Track 100.

We hope your new product goes above and beyond your expectations. However, should any problems occur, please:

- log in to your account and contact our customer services team via your self-serve portal – betterbathrooms.com/CustomerAccount/Login
- contact us via betterbathrooms.com/content/contact-us

Important information

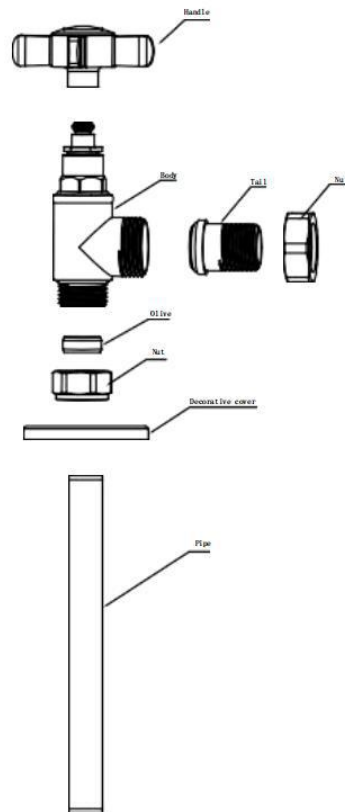
- Please read these instructions thoroughly and retain for future reference
- Pressures should meet minimum stated on the website
- Always check for pipes and cables before drilling

Contents

- 2 x Body inc handle
- 2 x Olive
- 2 x Tail
- 4 x Nut
- 2 x Cover
- 2 x Pipe

Please note: Prior to installation, check that all the illustrated contents are present and correct.

Parts



Please note that Parts are for illustrative purposes only and may differ slightly to the actual product

Tools required

Spanner

Allen Key

PTFE tape (Sealing tape)

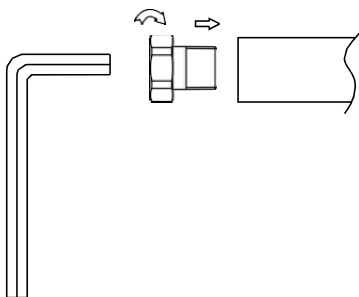
Installation

It is advised that the installation of these valves is carried out by a fully qualified plumber or advice is obtained for a suitable qualified person or plumber.

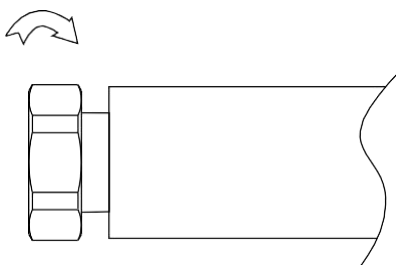
Please note: Before starting any installation, turn off the water supply.

First, ensure that the radiator is clean from debris before you start to install the valves and in conjunction with the valves, follow the radiator or towel rail installation as per the manufacturer's instructions.

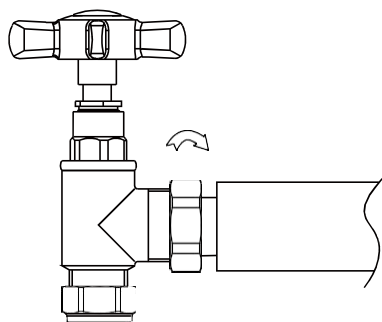
1. Wrap PTFE tape clockwise around the tail thread then screw the threaded end into the radiator or towel rail.



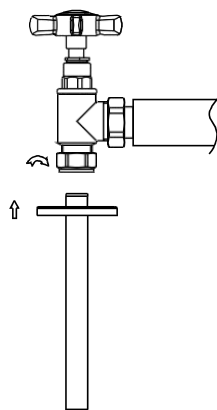
2. Tighten the nut (on the tail thread) using an appropriate tool, usually an Allenkey.



3. Attach valve and by hand and turn it to the correct position then tighten using an appropriate tool, usually a spanner.



4. Insert the pipe (at this point you will have already prepared the water supply pipes to match up with the radiator or towel rail and valve dimensions). Then tighten the nut (with the olive already in place) that holds the pipe in position.



5. Repeat for the other side then run the central heating to the radiator.

Cleaning

To maintain the surface finish of your product, wipe clean after every use, using a clean damp cloth, a mild detergent mixture can be used. Do not use abrasive cleaning agents or materials on the product surface.

If any harsh chemicals come into contact with the surface of the product during bathroom cleaning, rinse off immediately, wipe clean and dry.

For more information

- visit betterbathrooms.com
- email customerservices@buyitdirect.co.uk
- call 0330 390 3062
- write to Trident Business Park, Neptune Way, Huddersfield, HD2 1UA

**better
bathrooms**

Part of the BuyItDirect Group